



## **Adjustable Lumber Rack Using A Single Sheet Of Plywood**

Included here are the plans I developed and followed to make the Woodshop Junkies *Adjustable Lumber Storage Rack*. The rack was designed so that all the components to make the two tier rack can be cut from a single 18x1220x2440mm (3/4" 4x8ft) sheet of plywood. Additional tiers can be added using more material.

To see my build procedure you can review the build video:

[https://youtu.be/6\\_r93KRQTQw](https://youtu.be/6_r93KRQTQw)

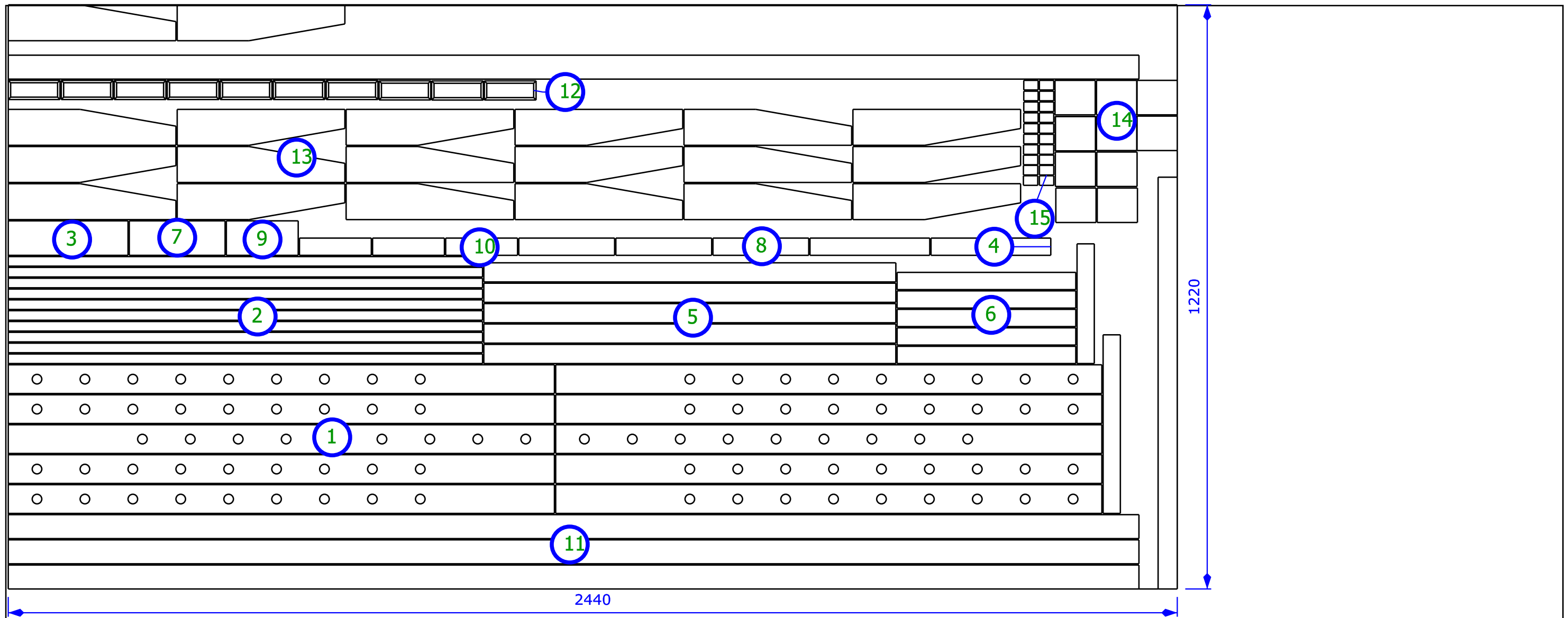
**My *Lumber Storage Rack* works great for me but I cannot guarantee your satisfaction.**

**No long term test have been done to determine the effect of using and storing lumber as they are used and stored using this *Lumber Storage Rack*.**

I am NOT a professional woodworker or qualified engineer and these plans do not constitute professional advice of any kind. They are made available purely for entertainment and information purposes.

The use of these plans is done entirely at the user's own risk. Woodshop Junkies will not accept any responsibility or liability for any damage or injury incurred due to any form of use of these plans.

**ALWAYS WORK SAFE AND FOLLOW THE SAFETY INSTRUCTIONS AS SET OUT IN THE USER MANUALS OF YOUR EQUIPMENT.**



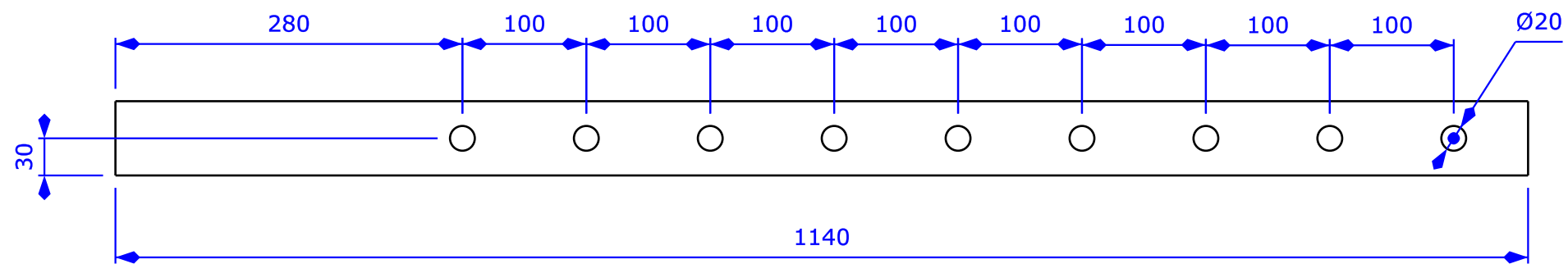
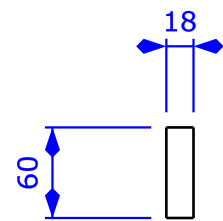
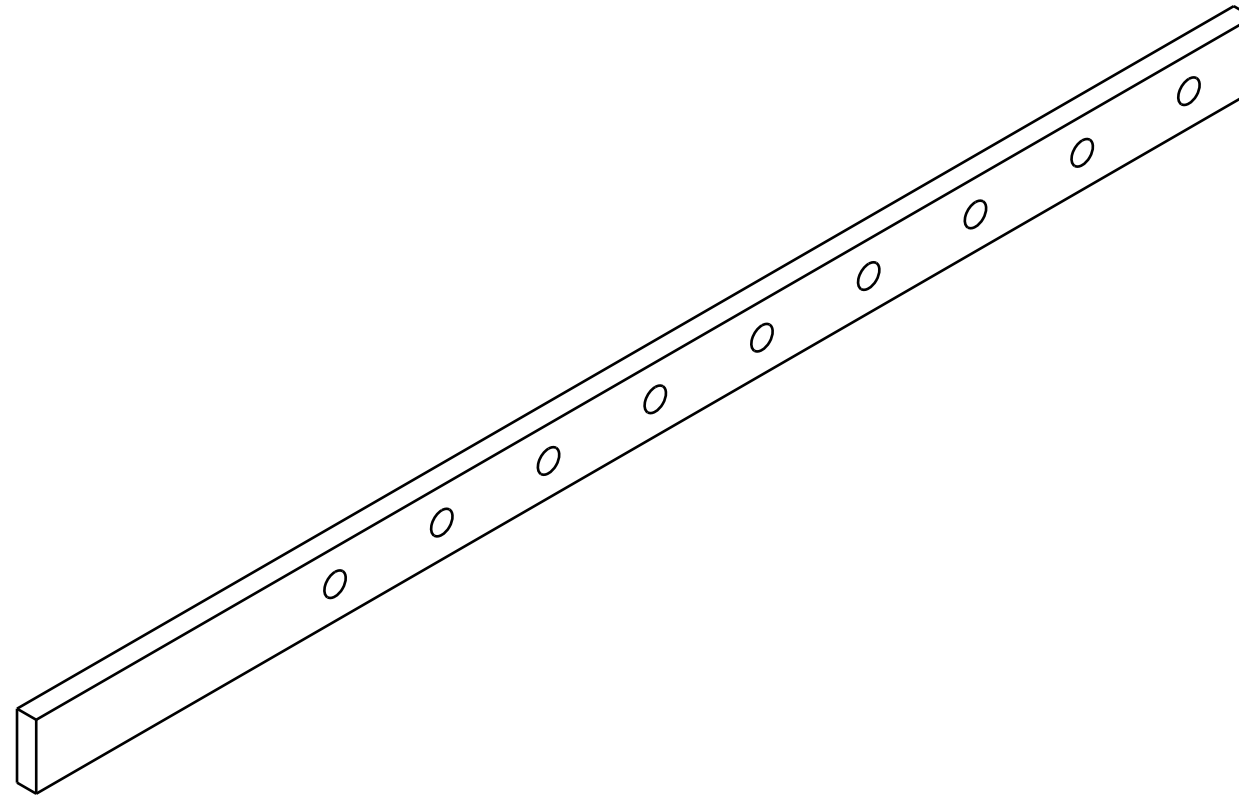
1	WJ-01-001	10	18 x 60 x 1140	Plywood sheet
2	WJ-01-002	10	18 x 20 x 990	Plywood sheet
3	WJ-02-005	1	18 x 72 x 250	Plywood sheet
4	WJ-02-006	3	18 x 36 x 250	Plywood sheet
5	WJ-02-007	6	18 x 40 x 860	Plywood sheet
6	WJ-02-008	6	18 x 36 x 373	Plywood sheet
7	WJ-02-010	1	18 x 72 x 200	Plywood sheet
8	WJ-02-011	3	18 x 36 x 200	Plywood sheet
9	WJ-02-013	1	18 x 72 x 150	Plywood sheet
10	WJ-02-014	3	18 x 36 x 150	Plywood sheet
11	WJ-02-017	4	18 x 50 x 2360	Plywood sheet
12	WJ-03-019	10	18 x 40 x 108	Plywood sheet
13	WJ-03-020	20	18 x 75 x 350	Plywood sheet
14	WJ-03-021	10	18 x 72 x 84	Plywood sheet
15	WJ-03-022	20	18 x 20 x 30	Plywood sheet
16	WJ-03-024	10	Diam 19 x 108	Pine



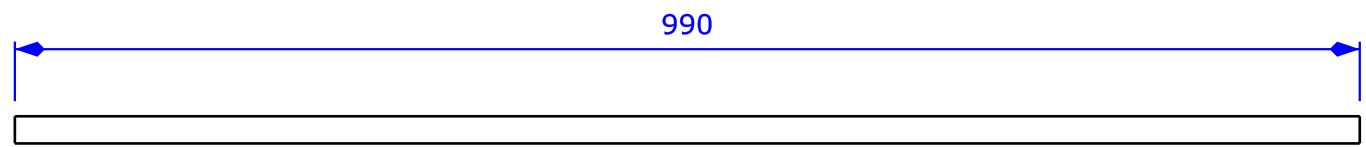
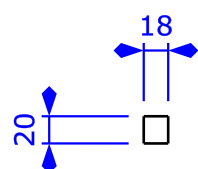
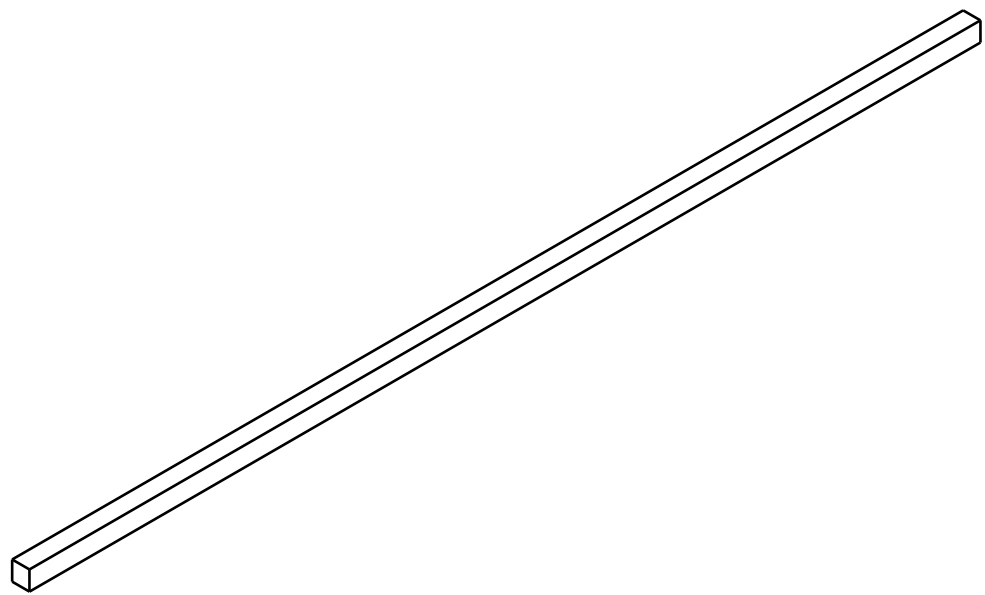
Created by: <b>Woodshop Junkies</b>	Title: <b>Cutting list</b>		
Supplementary information:          <b>© Woodshop Junkies 2019</b>	Size: <b>A3</b>	Sheet:	Scale:
	Part number:		
	Drawing number:		
	Date: <b>2019</b>	Revision: <b>REV A</b>	

# Stage 1

Wall Mount Uprights

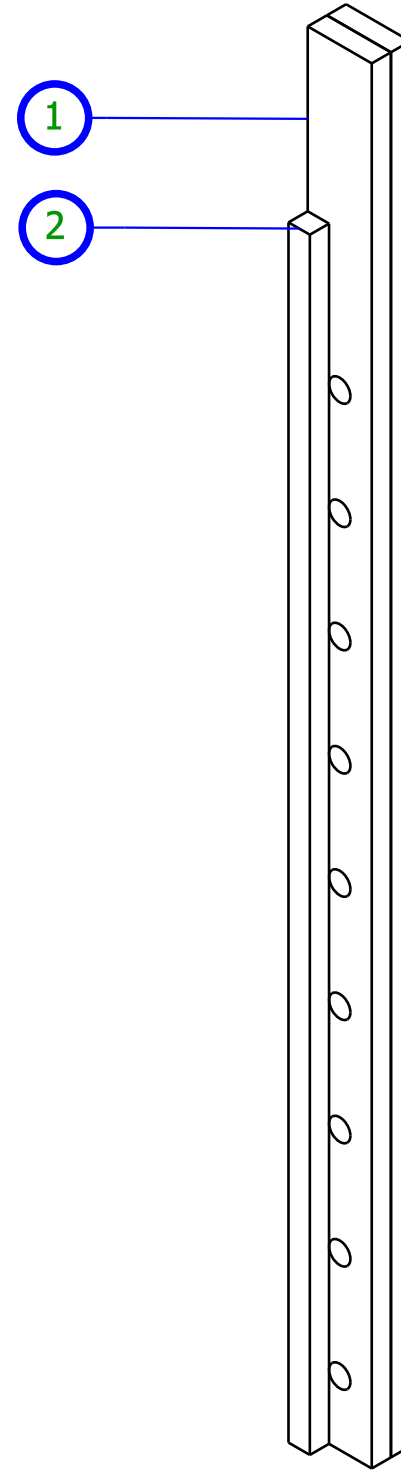
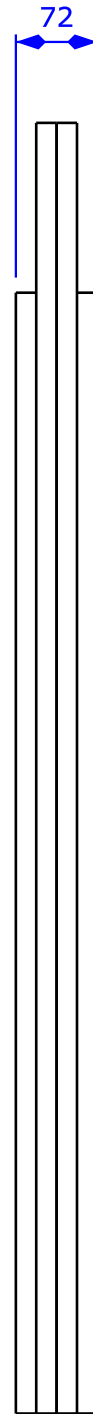
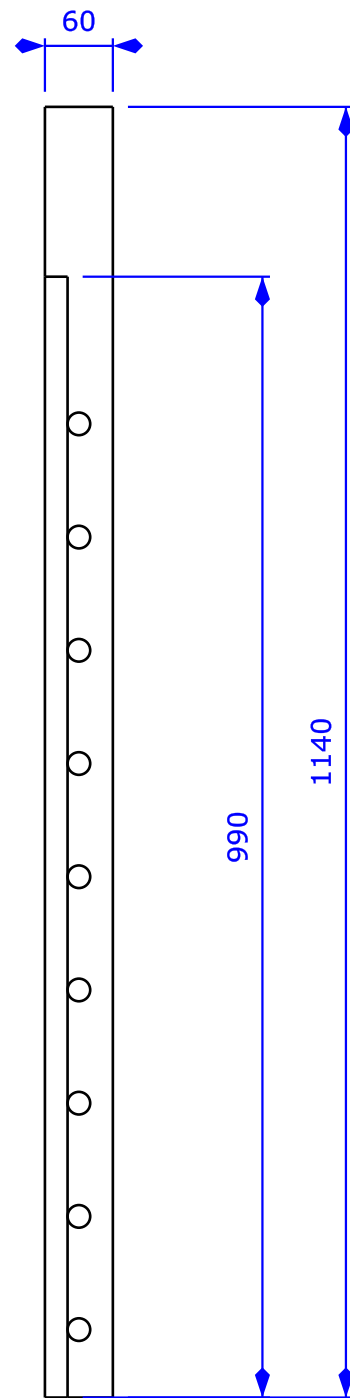
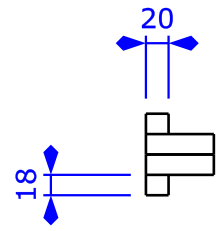


Created by: <b>Woodshop Junkies</b>	Title: <b>Upright</b>		
Supplementary information:  © Woodshop Junkies 2019	Size: <b>A3</b>	Sheet:	Scale:
	Part number:		
	Drawing number: <b>WJ-01-001</b>		
Date: <b>2019</b>	Revision: <b>REV A</b>		

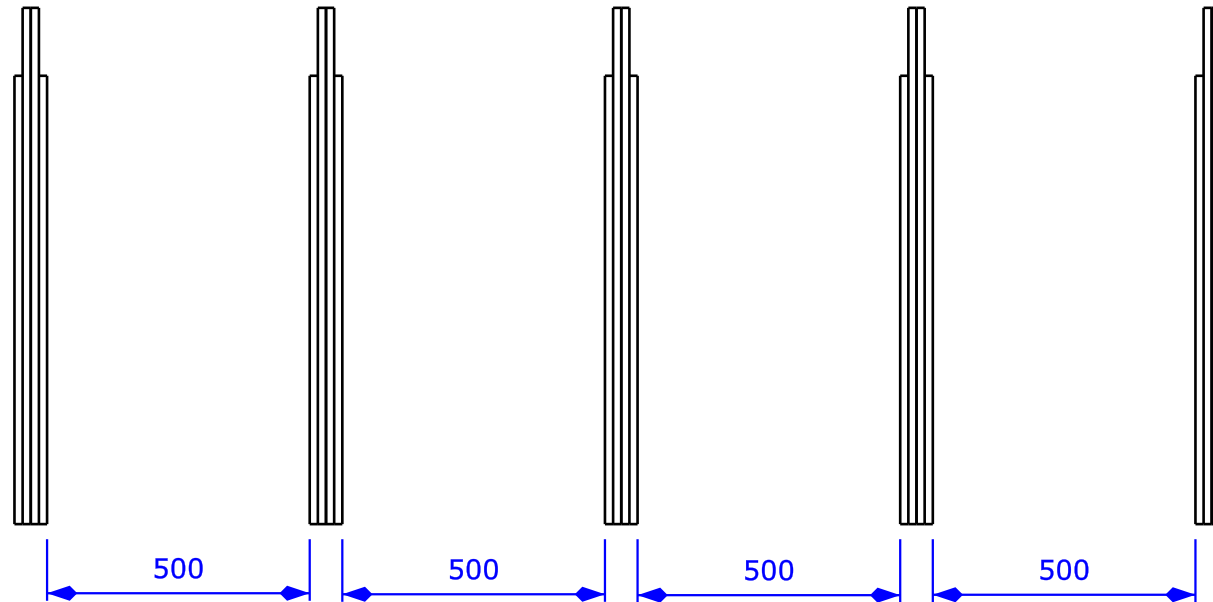
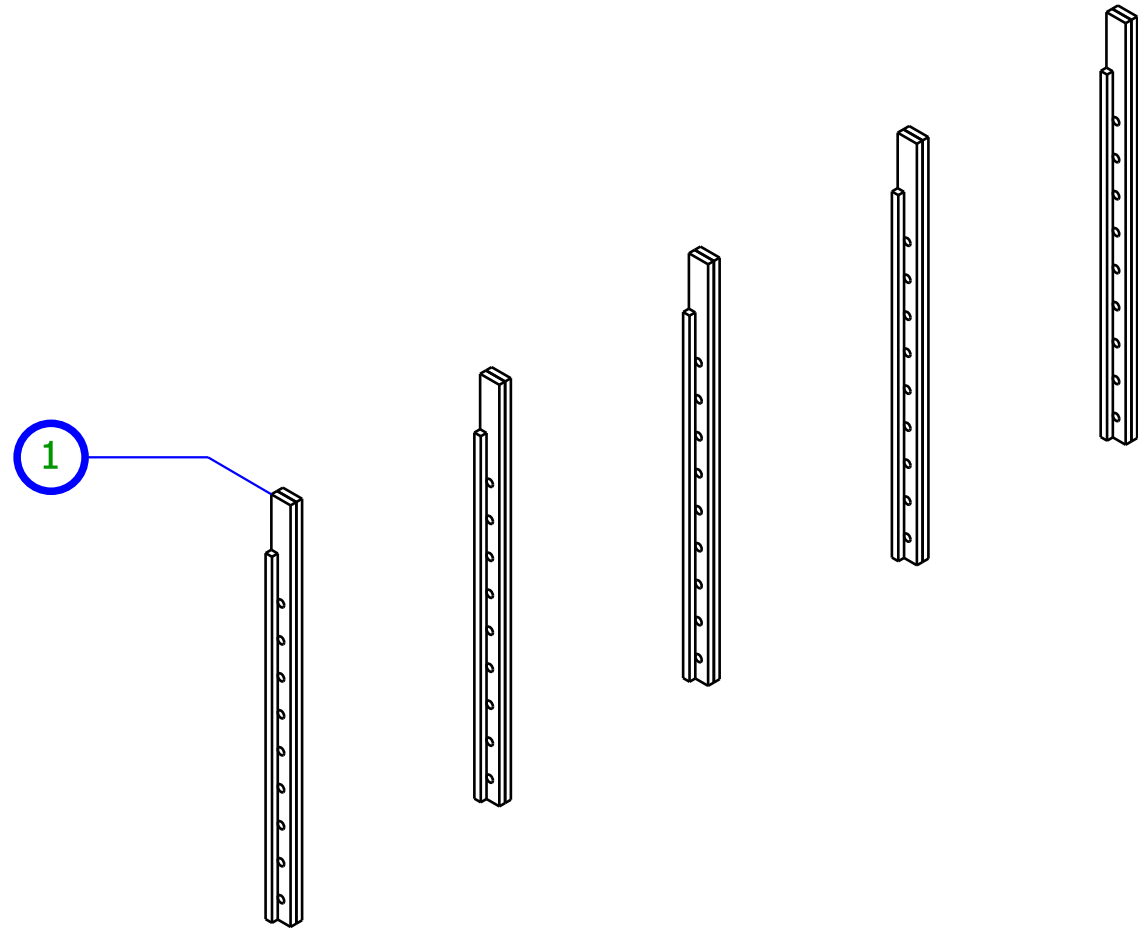
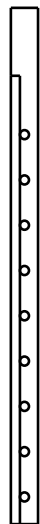


Created by: <b>Woodshop Junkies</b>	Title: <b>Wing</b>		
Supplementary information:  © Woodshop Junkies 2019	Size: <b>A3</b>	Sheet:	Scale:
	Part number:		
	Drawing number: <b>WJ-01-002</b>		
Date: <b>2019</b>	Revision: <b>REV A</b>		

1	WJ-01-001	10	18 x 60 x 1140
2	WJ-01-002	10	18 x 20 x 990



Created by: <b>Woodshop Junkies</b>		Title: <b>Uprights</b>		
Supplementary information:  © Woodshop Junkies 2019		Size: <b>A3</b>	Sheet:	Scale:
		Part number:		
		Drawing number: <b>WJ-01-003</b>		
Date: <b>2019</b>		Revision: <b>REV A</b>		

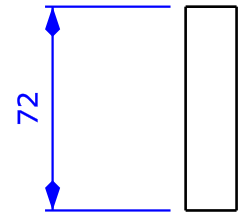
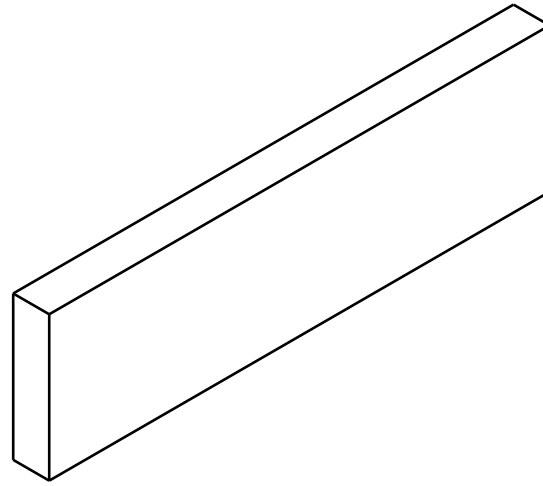
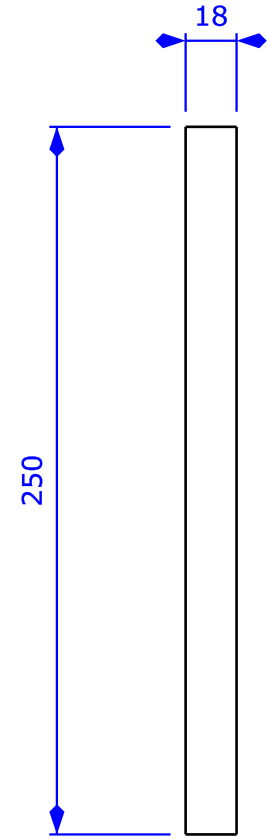


Created by: <b>Woodshop Junkies</b>	Title: <b>Stage 1</b>		
Supplementary information:  © Woodshop Junkies 2019	Size: <b>A3</b>	Sheet:	Scale:
	Part number:		
	Drawing number: <b>WJ-01-004</b>		
Date: <b>2019</b>	Revision: <b>REV A</b>		

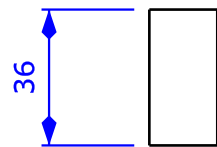
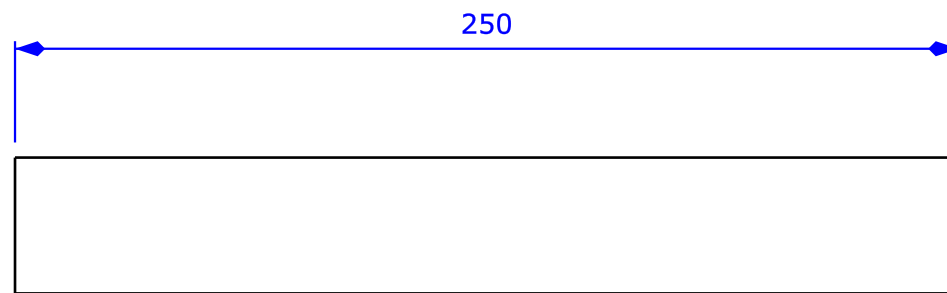
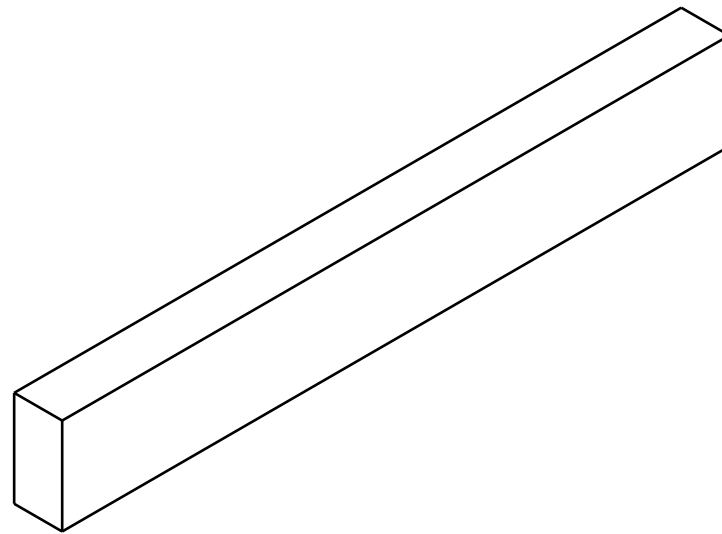
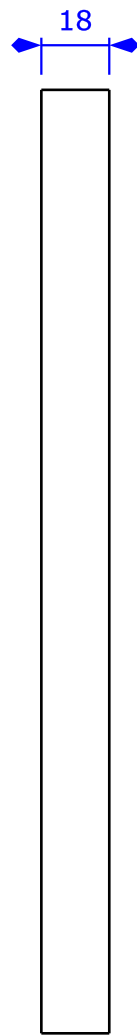
# Stage 2

Overhead Storage Area

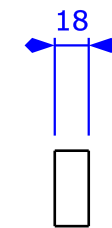
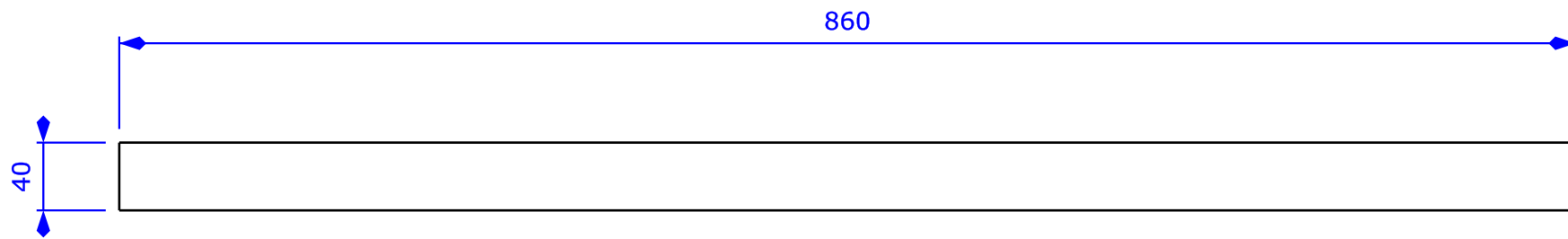
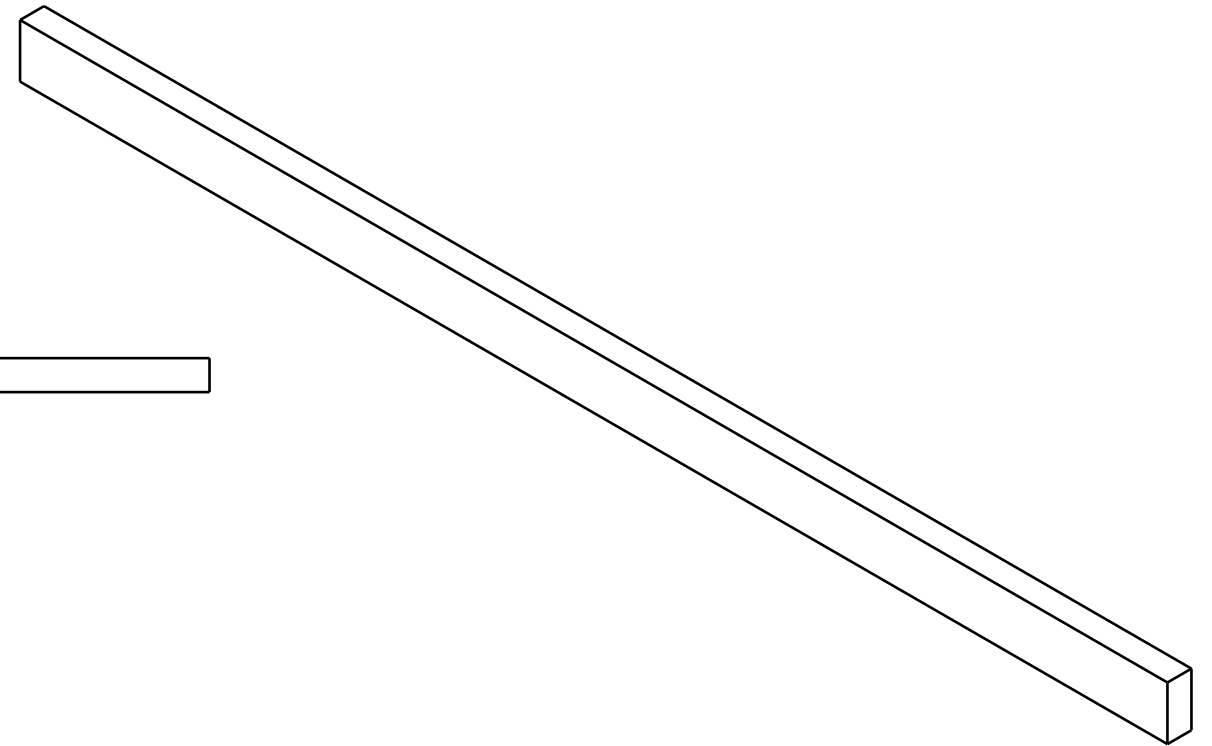
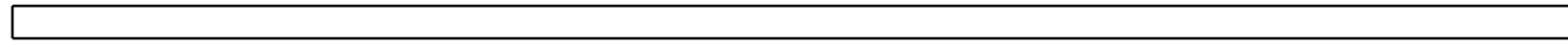




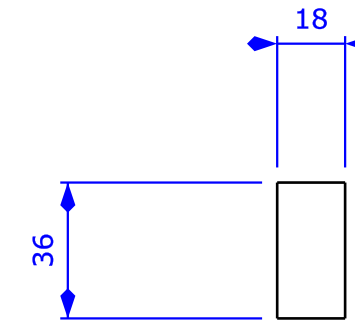
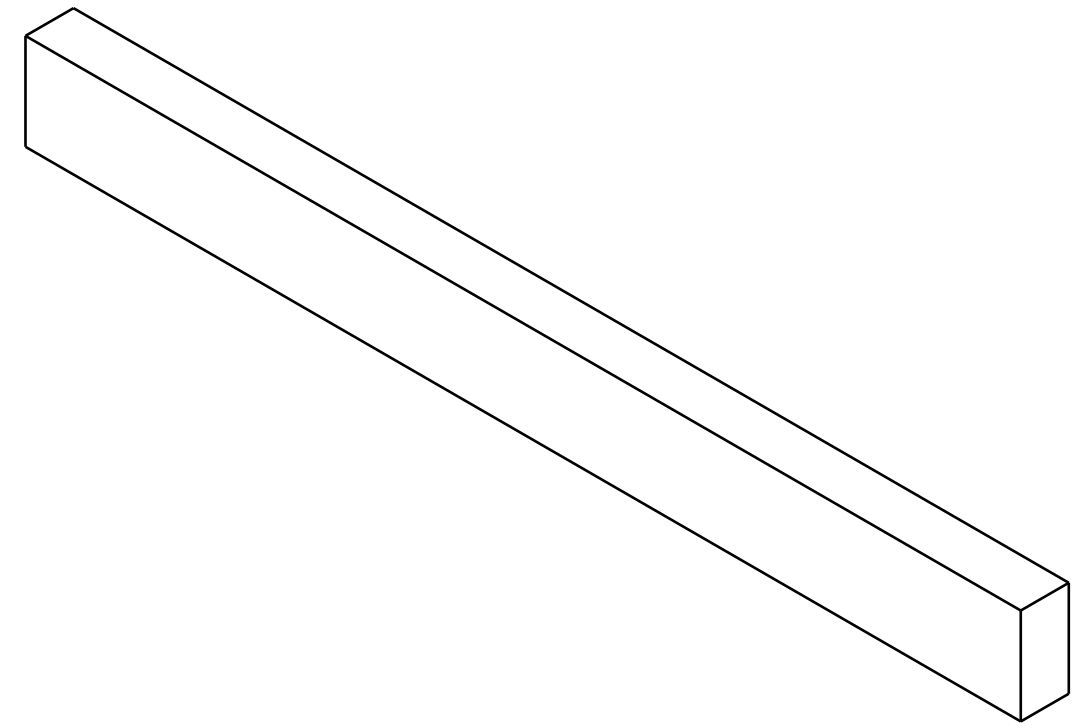
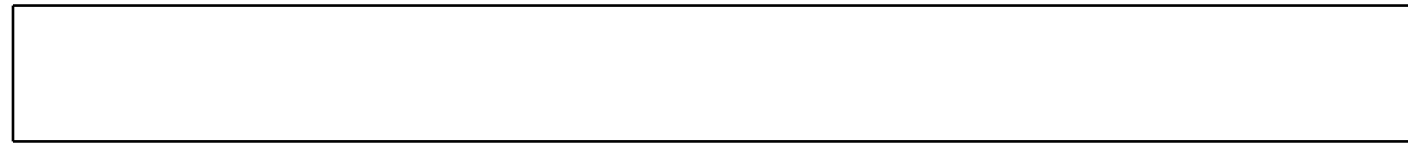
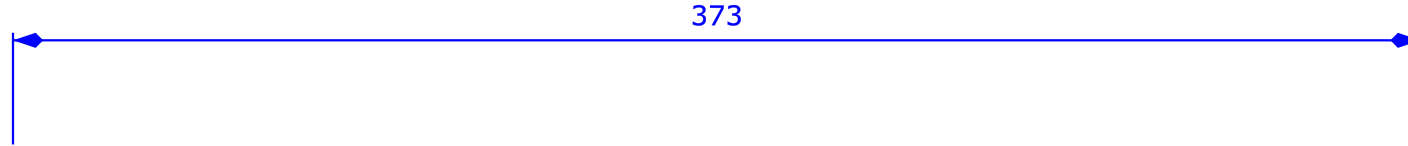
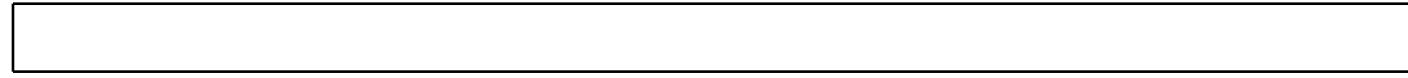
Created by: <b>Woodshop Junkies</b>	Title: <b>Front block 3</b>		
Supplementary information:  © Woodshop Junkies 2019	Size: <b>A3</b>	Sheet:	Scale:
	Part number:		
	Drawing number: <b>WJ-02-005</b>		
	Date: <b>2019</b>	Revision: <b>REV A</b>	



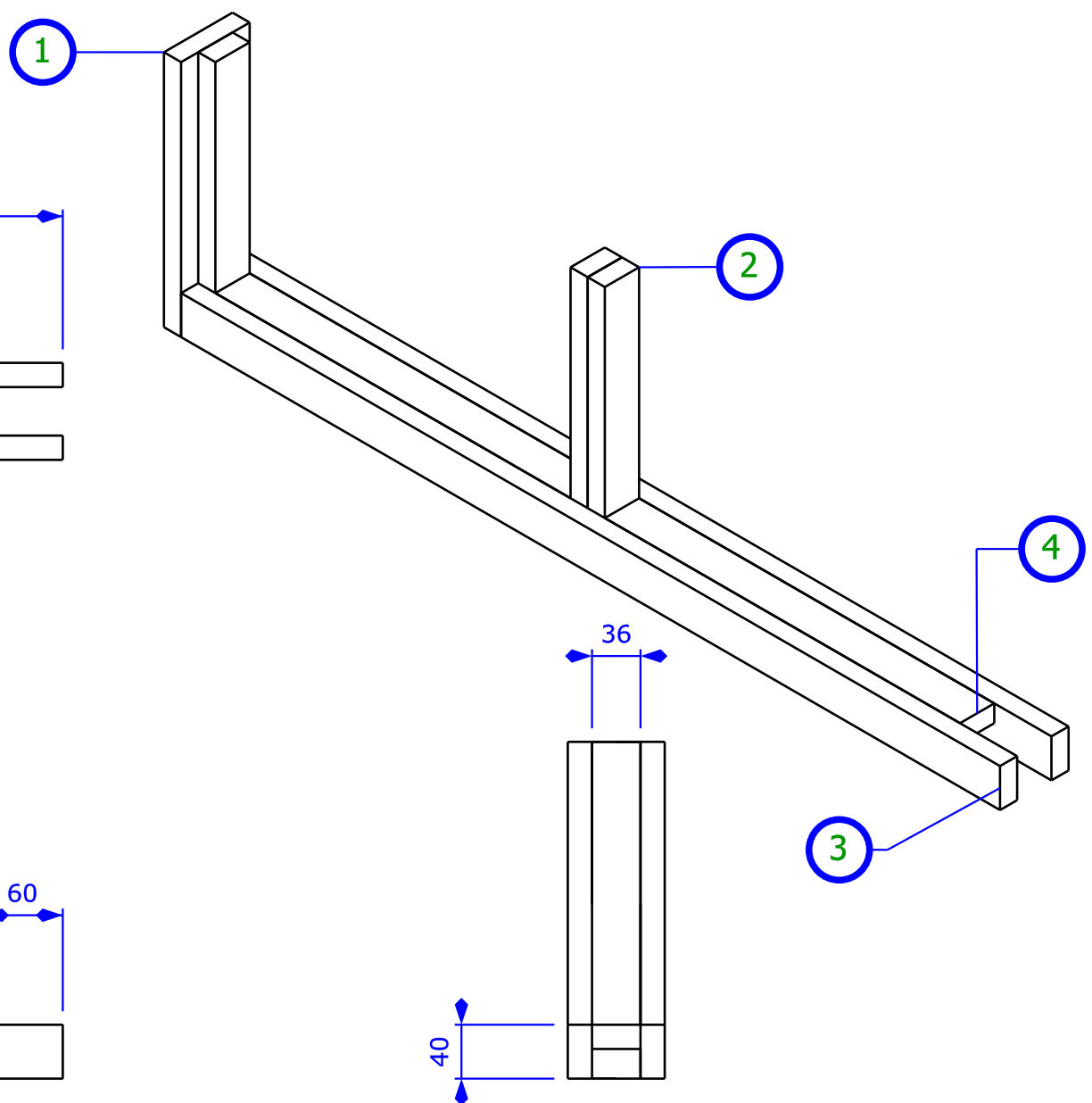
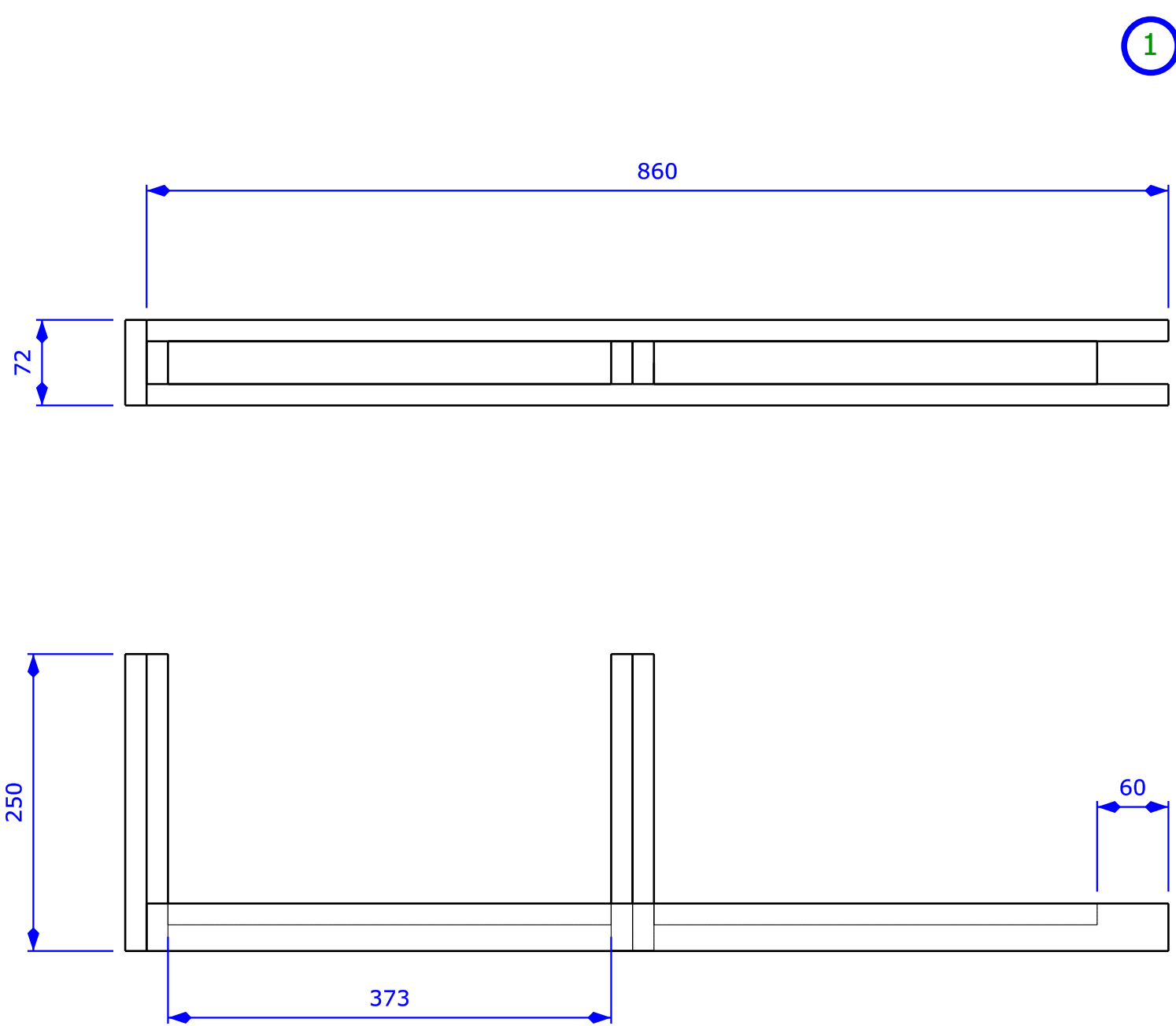
Created by: <b>Woodshop Junkies</b>	Title: <b>Mid block 3</b>		
Supplementary information:  © Woodshop Junkies 2019	Size: <b>A3</b>	Sheet:	Scale:
	Part number:		
	Drawing number: <b>WJ-02-006</b>		
	Date: <b>2019</b>	Revision: <b>REV A</b>	



Created by: <b>Woodshop Junkies</b>	Title: <b>Top long support sides</b>		
Supplementary information:  © Woodshop Junkies 2019	Size: <b>A3</b>	Sheet:	Scale:
	Part number:		
	Drawing number: <b>WJ-02-007</b>		
Date: <b>2019</b>	Revision: <b>REV A</b>		

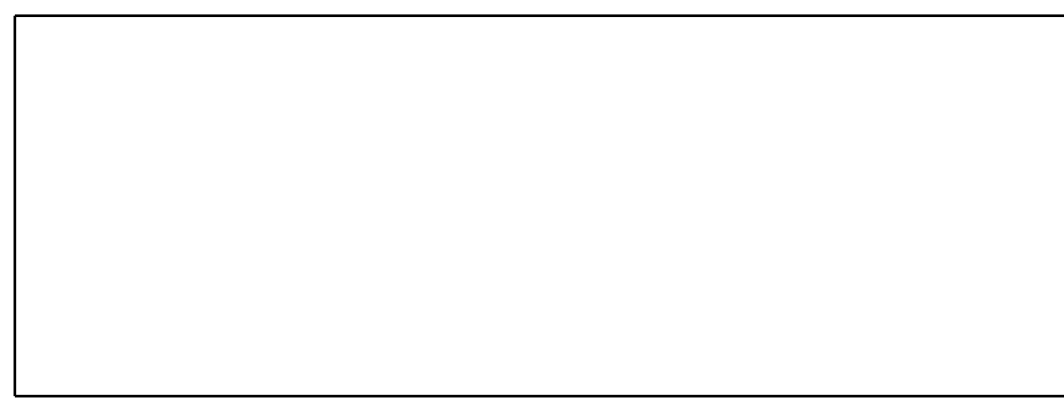
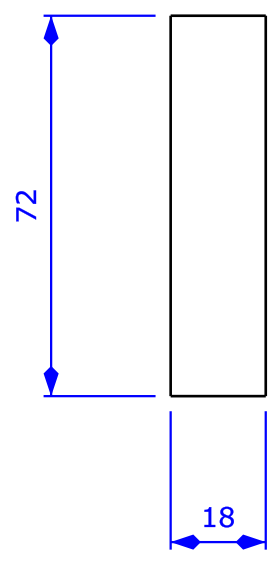
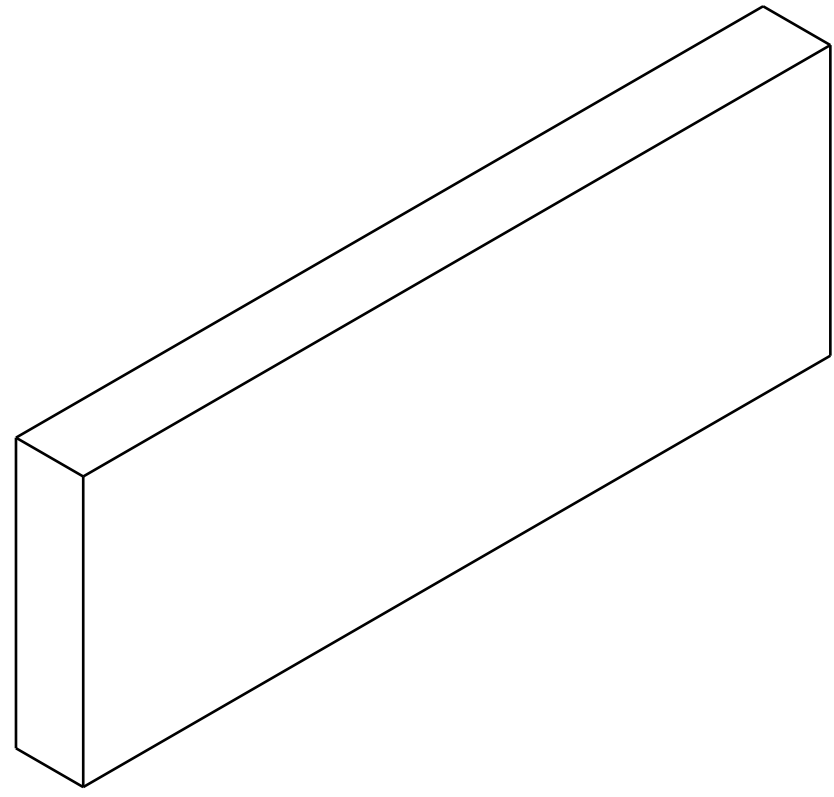
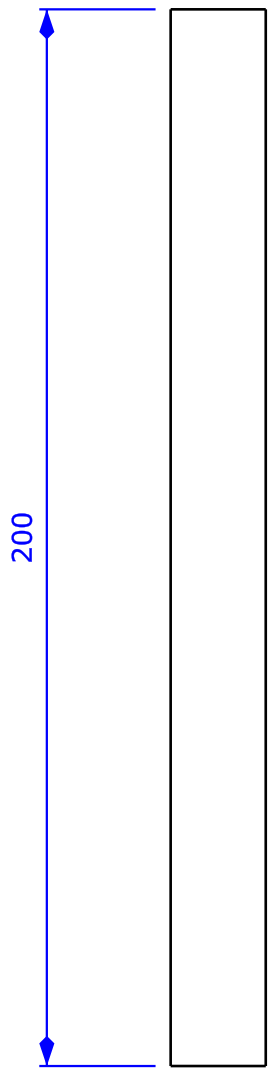


Created by: <b>Woodshop Junkies</b>	Title: <b>Top long support</b>		
Supplementary information:  © Woodshop Junkies 2019	Size: <b>A3</b>	Sheet:	Scale:
	Part number:		
	Drawing number: <b>WJ-02-008</b>		
	Date: <b>2019</b>	Revision: <b>REV A</b>	

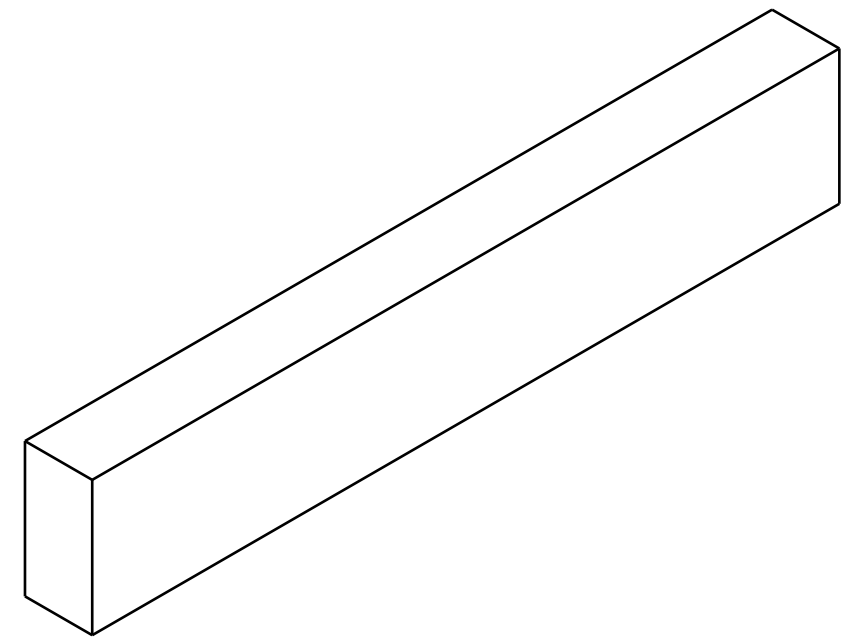
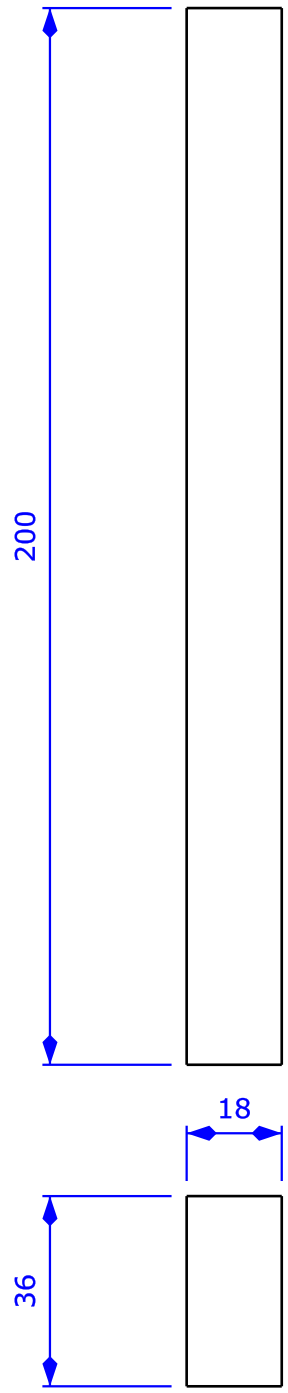


1	WJ-02-005	1	18 x 72 x 250
2	WJ-02-006	3	18 x 36 x 250
3	WJ-02-007	10	18 x 40 x 860
4	WJ-02-008	10	18 x 36 x 373

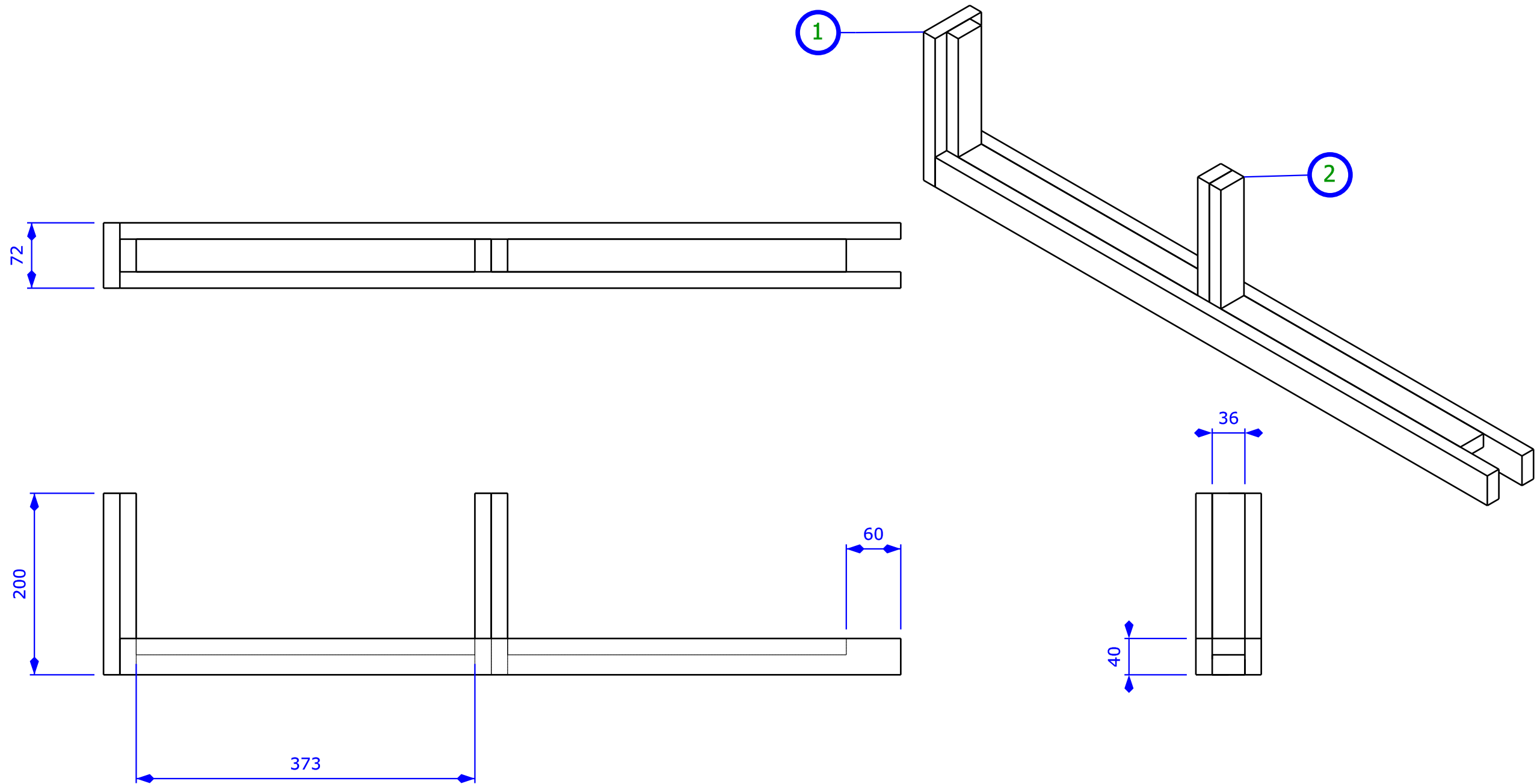
Created by: <b>Woodshop Junkies</b>	Title: <b>Overhead storage</b>		
Supplementary information:  © Woodshop Junkies 2019	Size: <b>A3</b>	Sheet:	Scale:
	Part number:		
	Drawing number: <b>WJ-02-009</b>		
	Date: <b>2019</b>	Revision: <b>REV A</b>	



Created by: <b>Woodshop Junkies</b>	Title: <b>Front block 2</b>		
Supplementary information:  © Woodshop Junkies 2019	Size: <b>A3</b>	Sheet:	Scale:
	Part number:		
	Drawing number: <b>WJ-02-010</b>		
	Date: <b>2019</b>	Revision: <b>REV A</b>	



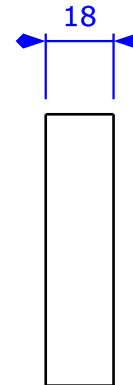
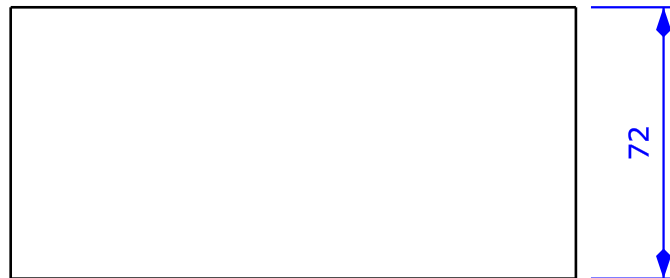
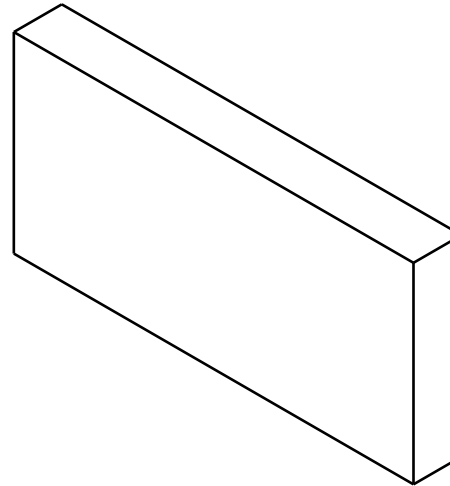
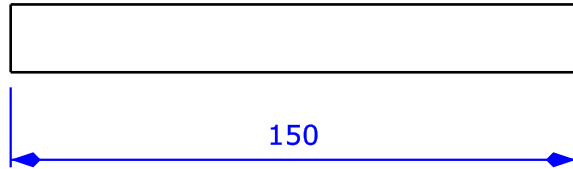
Created by: <b>Woodshop Junkies</b>	Title: <b>Mid block 2</b>		
Supplementary information:  © Woodshop Junkies 2019	Size: <b>A3</b>	Sheet:	Scale:
	Part number:		
	Drawing number: <b>WJ-02-011</b>		
	Date: <b>2019</b>	Revision: <b>REV A</b>	



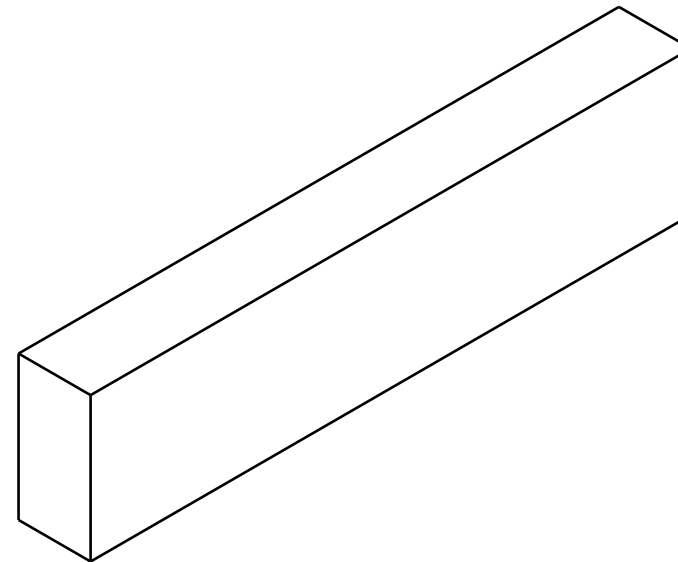
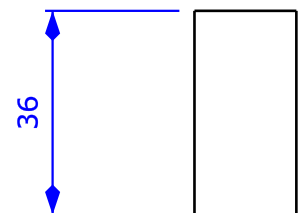
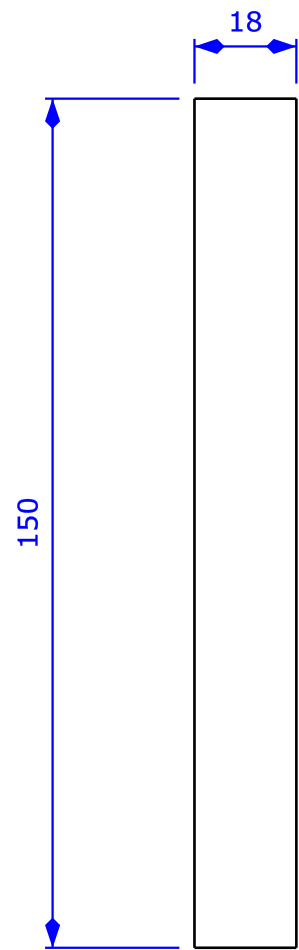
Created by: <b>Woodshop Junkies</b>		Title: <b>Overhead storage 2</b>		
Supplementary information:  © Woodshop Junkies 2019		Size: <b>A3</b>	Sheet:	Scale:
		Part number:		
		Drawing number: <b>WJ-02-012</b>		
		Date: <b>2019</b>	Revision: <b>REV A</b>	

1	WJ-02-010	1	18 x 72 x 200
2	WJ-02-011	1	18 x 36 x 200

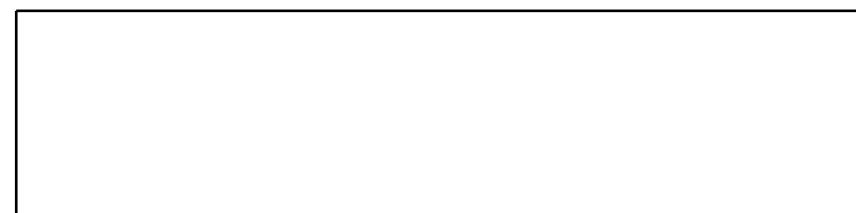
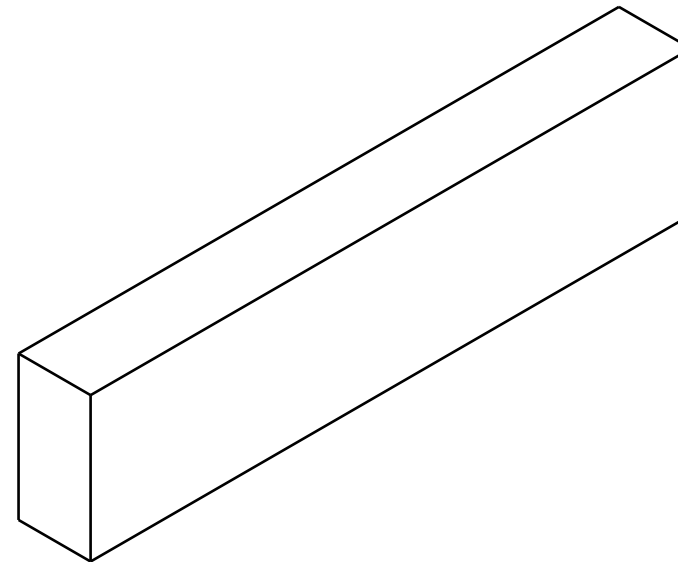
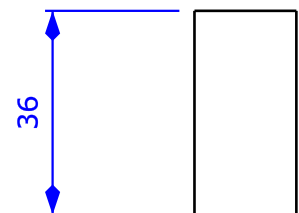
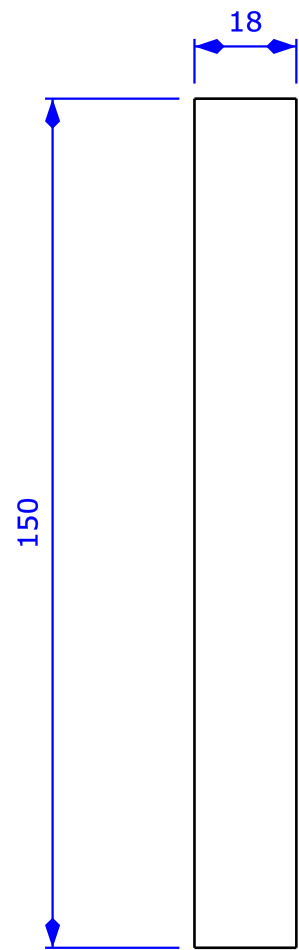




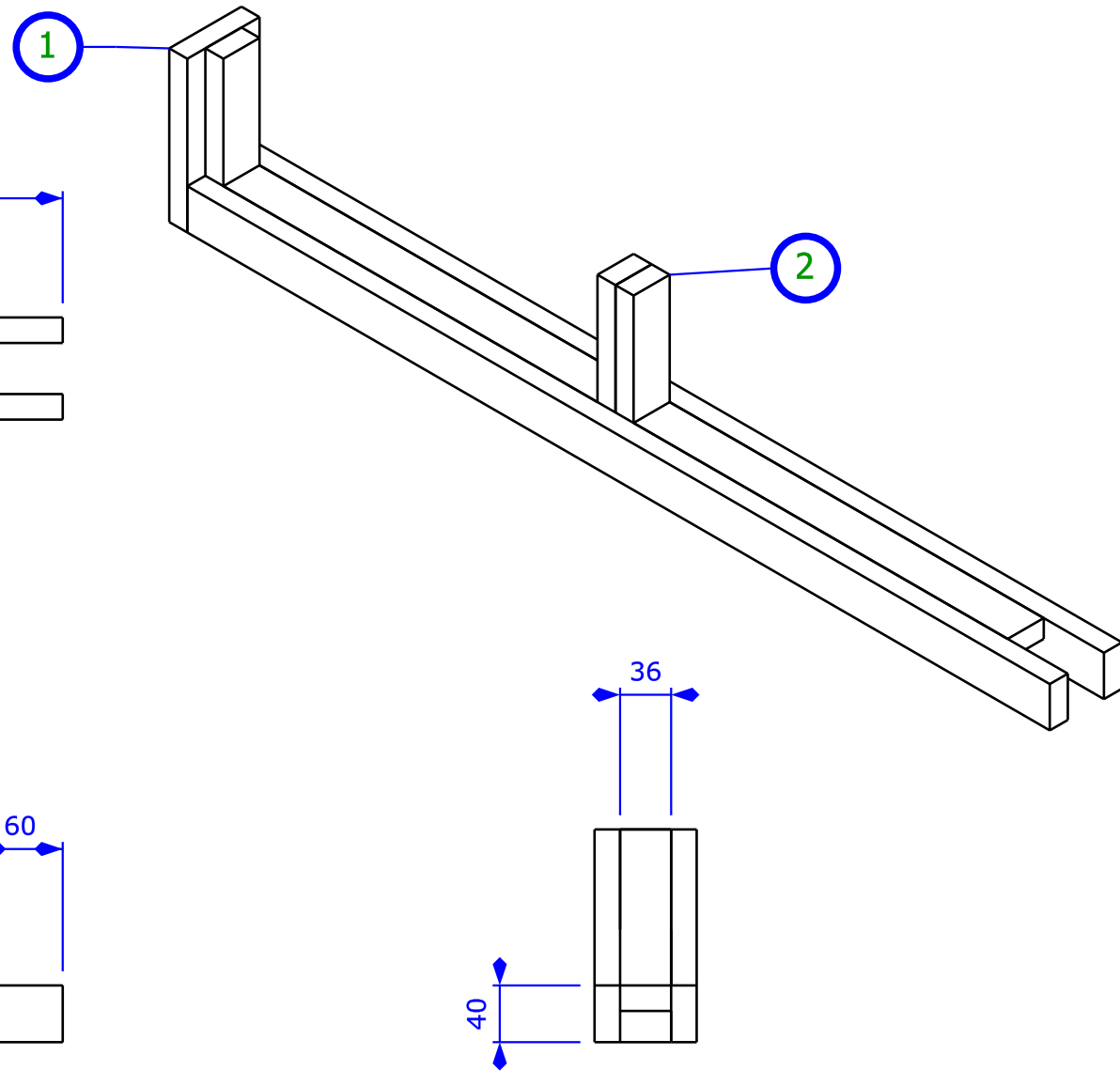
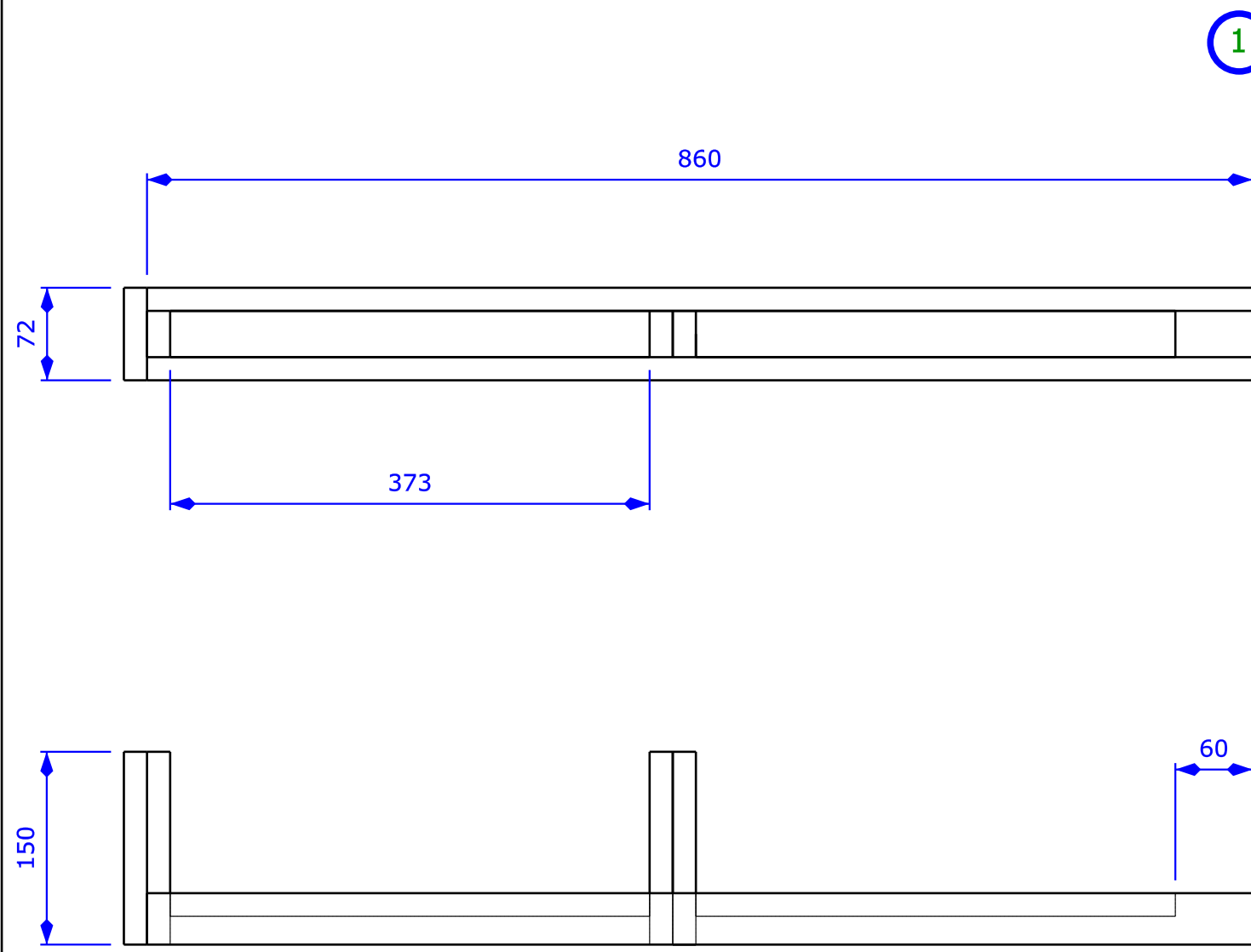
Created by: <b>Woodshop Junkies</b>	Title: <b>Front block 1</b>	Size: <b>A4</b>	Sheet:	Scale:
Supplementary information:  <b>© Woodshop Junkies 2019</b>		Part number:		
		Drawing no.: <b>WJ-02-013</b>		
		Date: <b>2019</b>	Revision: <b>REV A</b>	



Created by: <b>Woodshop Junkies</b>	Title: <b>Mid block 1</b>		
Supplementary information:  <b>© Woodshop Junkies 2019</b>	Size: <b>A3</b>	Sheet:	Scale:
	Part number:		
	Drawing number: <b>WJ-02-014</b>		
	Date: <b>2019</b>	Revision: <b>REV A</b>	



Created by: <b>Woodshop Junkies</b>	Title: <b>Mid block 1</b>		
Supplementary information:  © Woodshop Junkies 2019	Size: <b>A3</b>	Sheet:	Scale:
	Part number:		
	Drawing number: <b>WJ-02-014</b>		
	Date: <b>2019</b>	Revision: <b>REV A</b>	



1	WJ-02-013	1	18 x 72 x 150
2	WJ-02-014	3	18 x 36 x 150

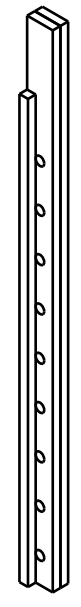
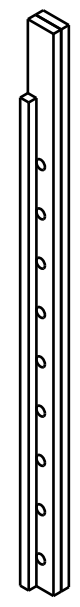
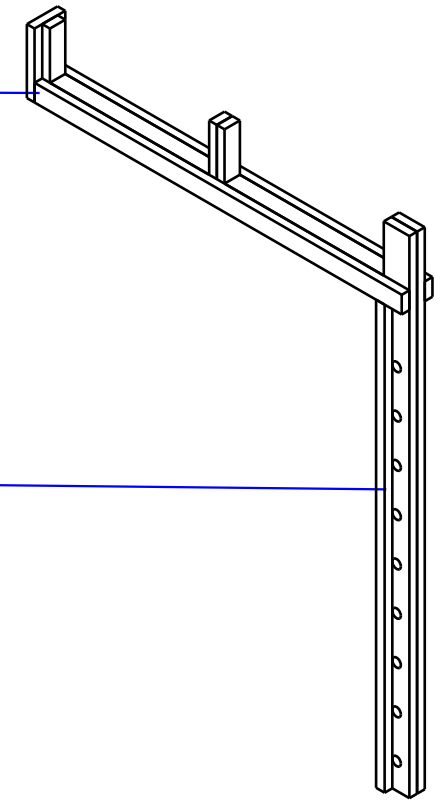
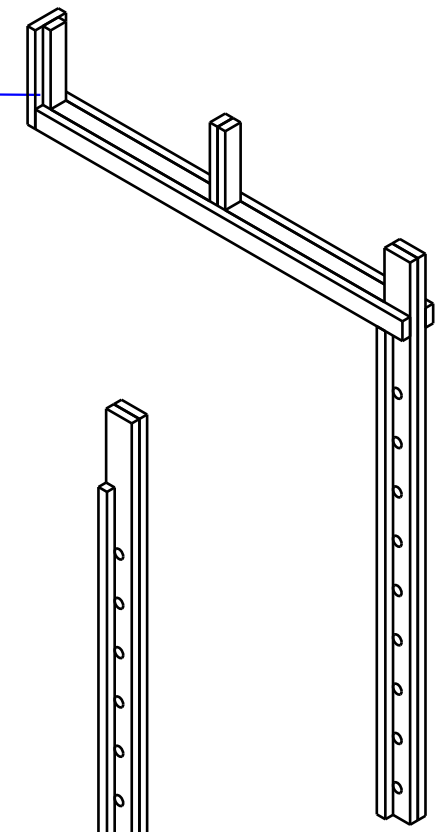
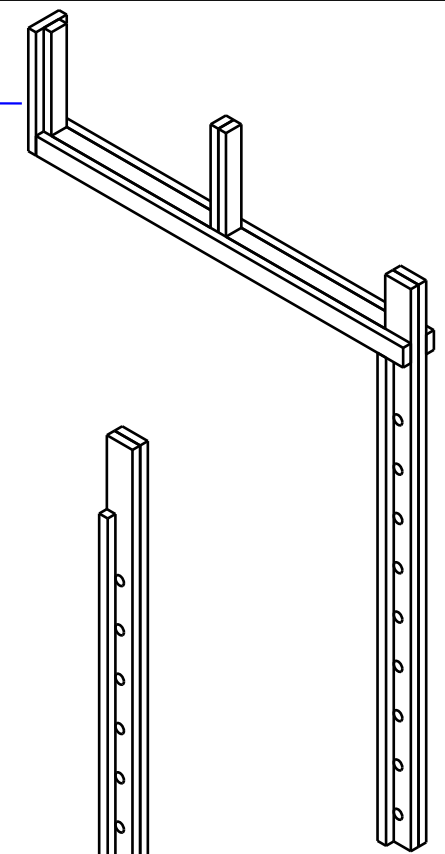
Created by: <b>Woodshop Junkies</b>	Title: <b>Overhead storage 3</b>		
Supplementary information:  © Woodshop Junkies 2019	Size: <b>A3</b>	Sheet:	Scale:
	Part number:		
	Drawing number: <b>WJ-02-015</b>		
Date: <b>2019</b>	Revision: <b>REV A</b>		

1

2

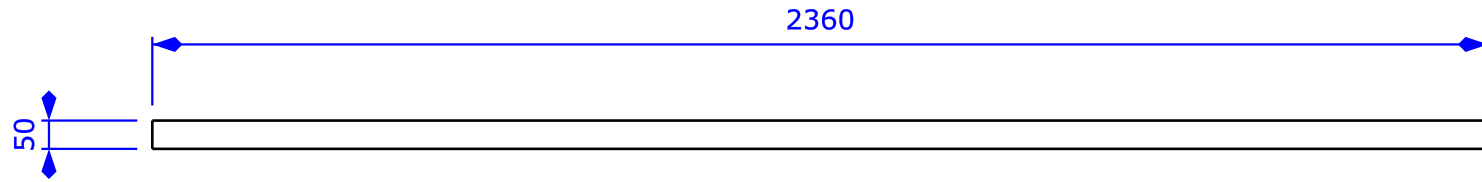
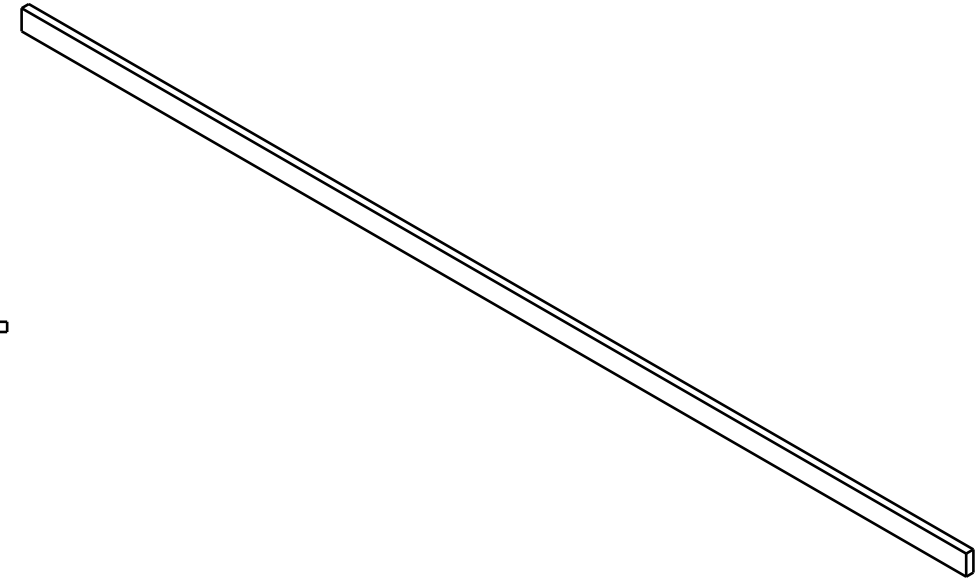
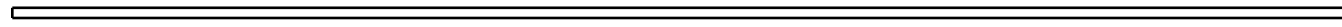
3

4

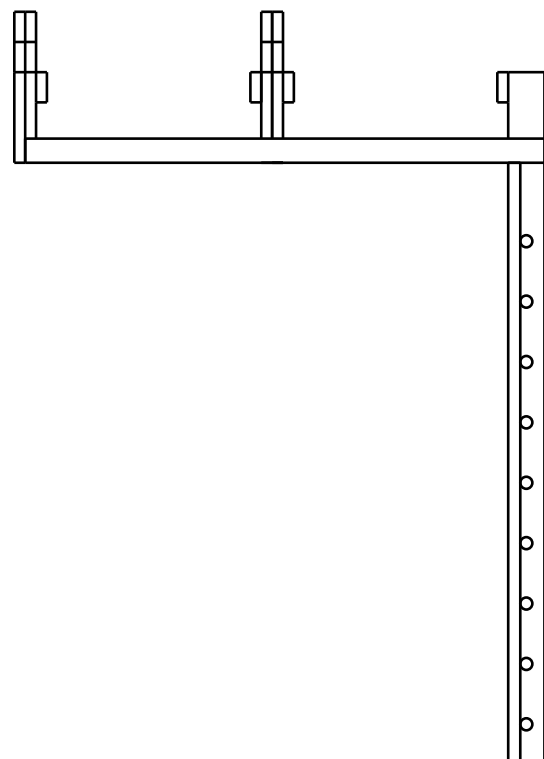
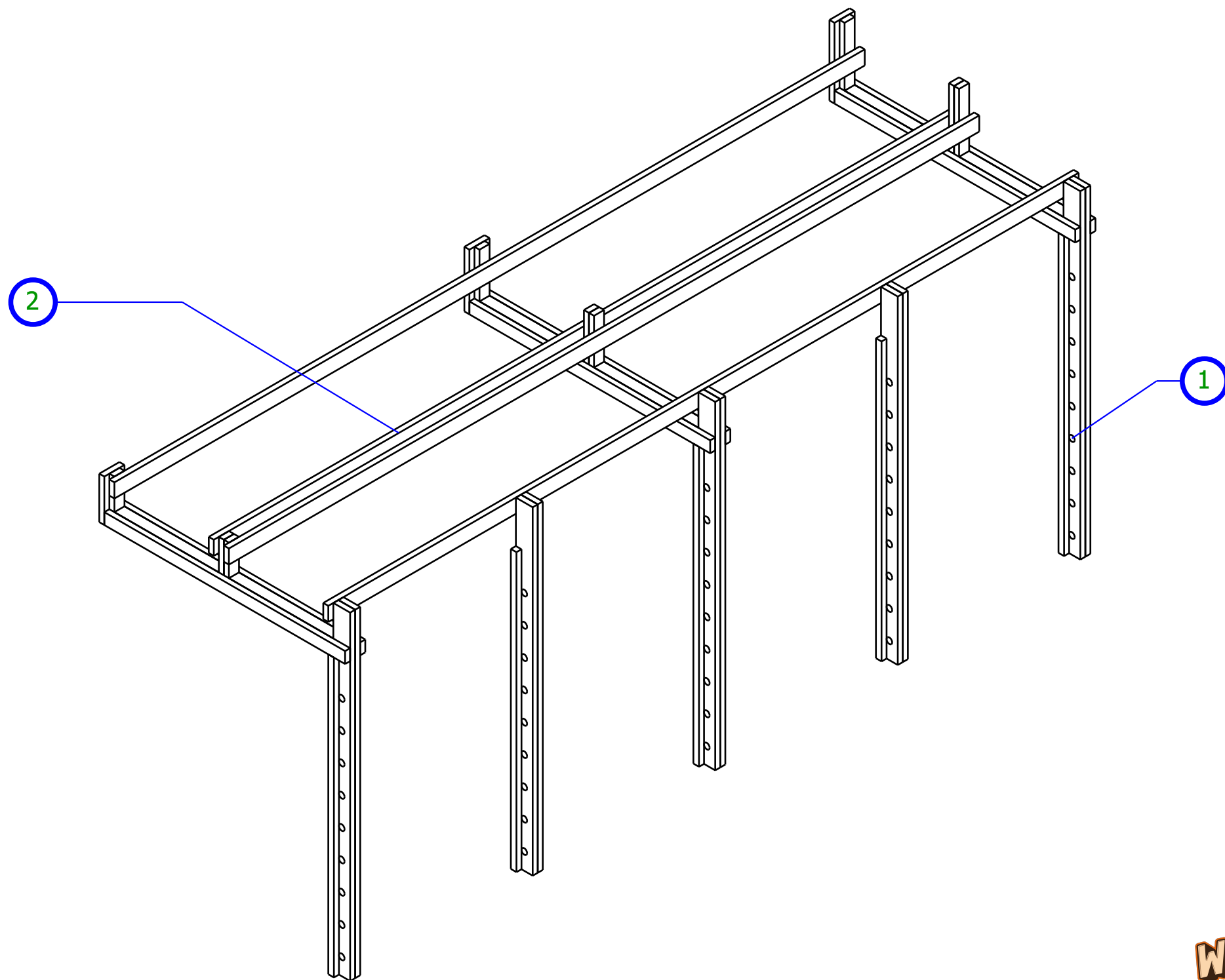


1	WJ-02-009	1
2	WJ-02-012	1
3	WJ-02-015	1
4	WJ-02-004	1

Created by: <b>Woodshop Junkies</b>	Title: <b>Sub-Assembly</b>		
Supplementary information:  © Woodshop Junkies 2019	Size: <b>A3</b>	Sheet:	Scale:
	Part number:		
	Drawing number: <b>WJ-02-016</b>		
	Date: <b>2019</b>	Revision: <b>REV A</b>	



Created by: <b>Woodshop Junkies</b>	Title: <b>Short plank cross</b>		
Supplementary information:  © Woodshop Junkies 2019	Size: <b>A3</b>	Sheet:	Scale:
	Part number:		
	Drawing number: <b>WJ-02-017</b>		
	Date: <b>2019</b>	Revision: <b>REV A</b>	



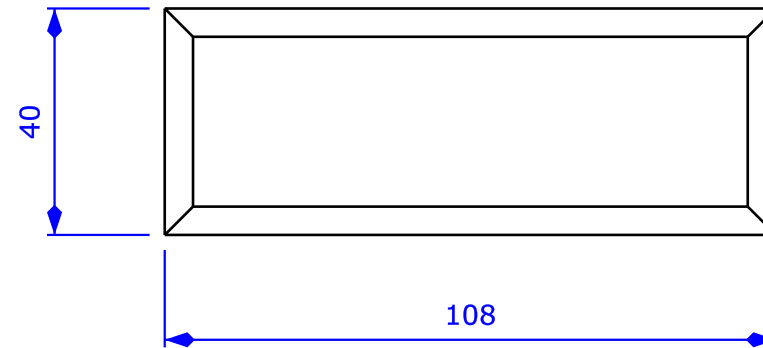
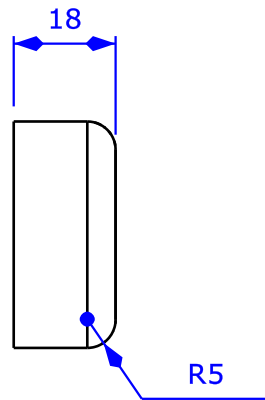
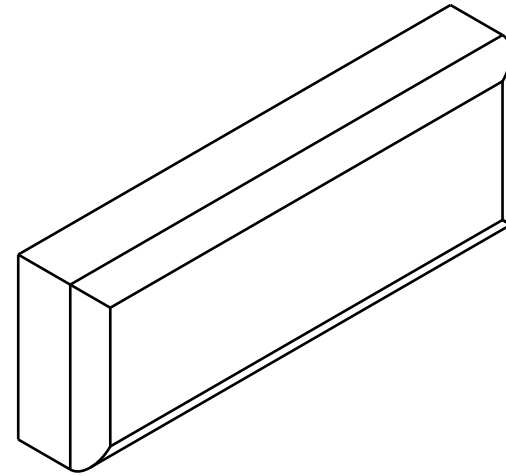
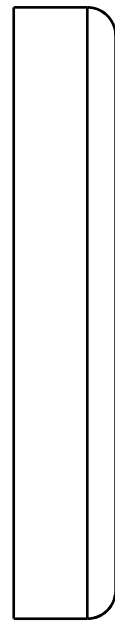
1	WJ-02-016		
2	WJ-02-017	4	18 x 50 x 2360

Created by: <b>Woodshop Junkies</b>	Title: <b>Stage 2</b>		
Supplementary information:  © Woodshop Junkies 2019	Size: <b>A3</b>	Sheet:	Scale:
	Part number:		
	Drawing number: <b>WJ-02-018</b>		
Date: <b>2019</b>	Revision: <b>REV A</b>		

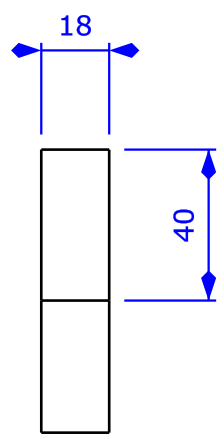
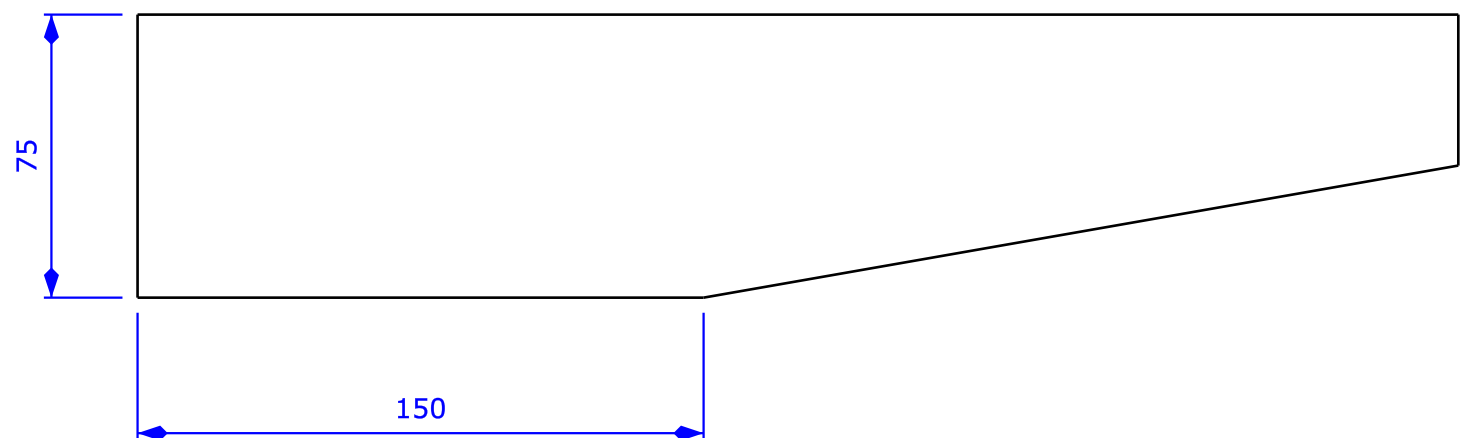
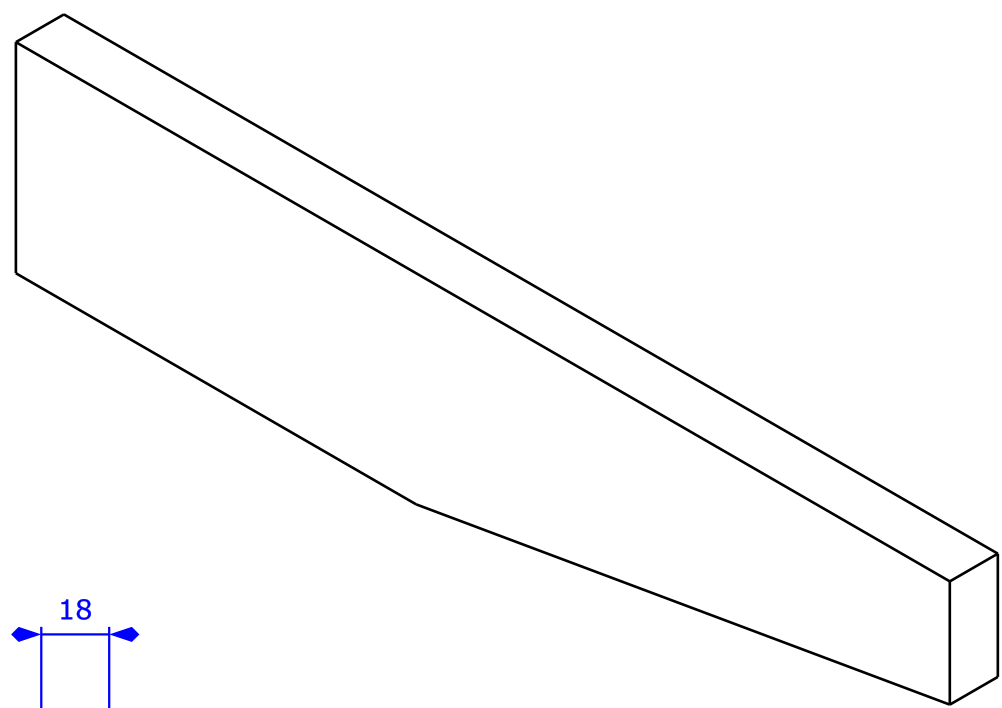
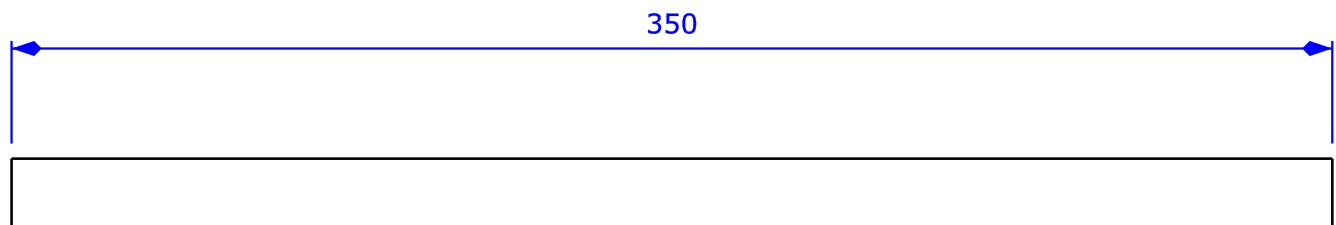
# Stage 3

Adjustable Cantilevers

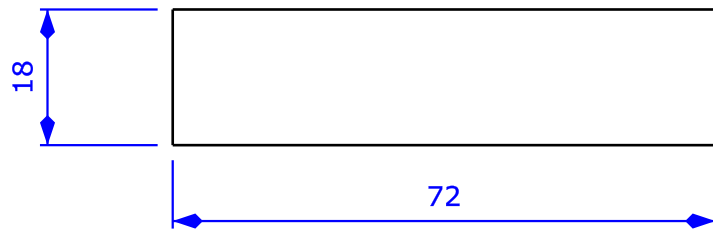
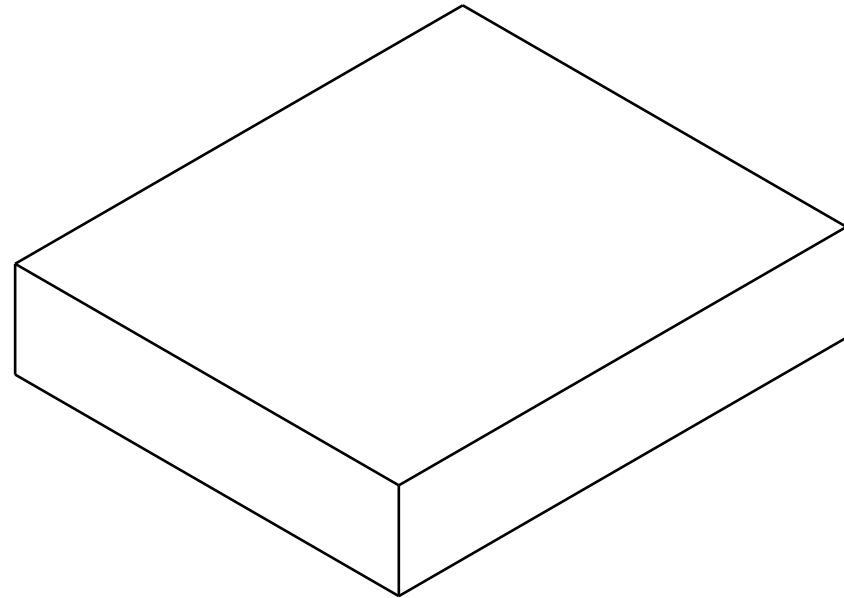
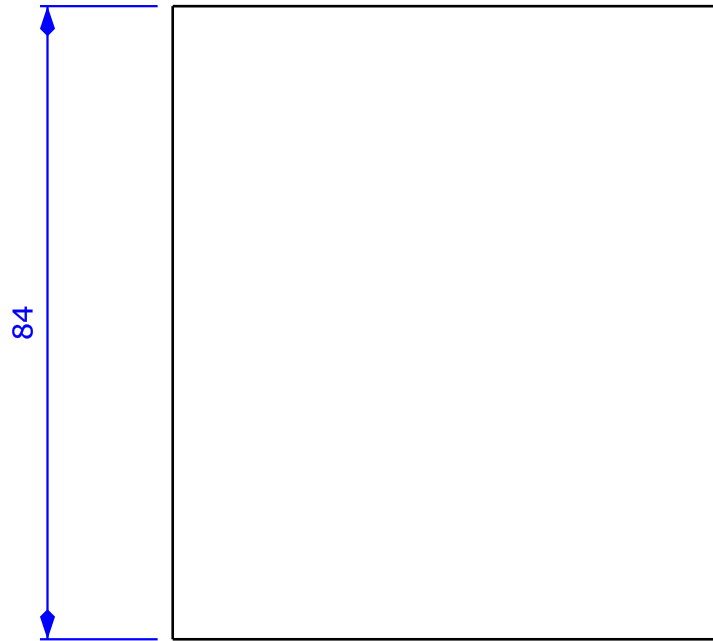




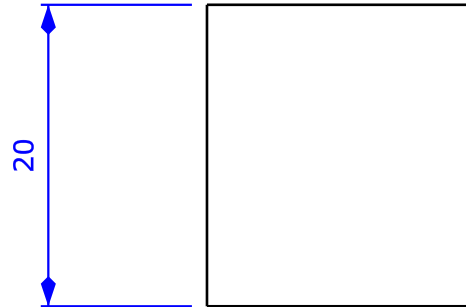
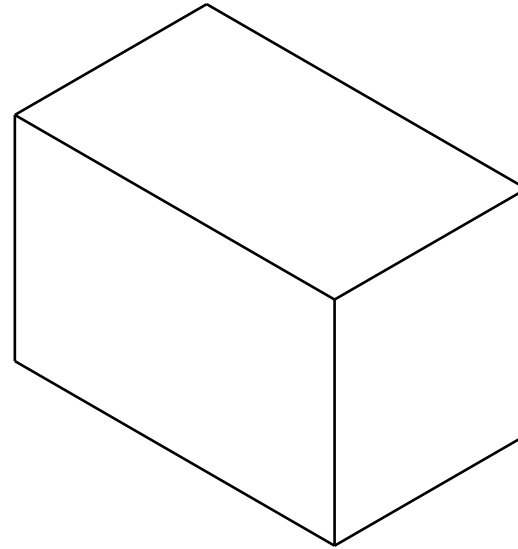
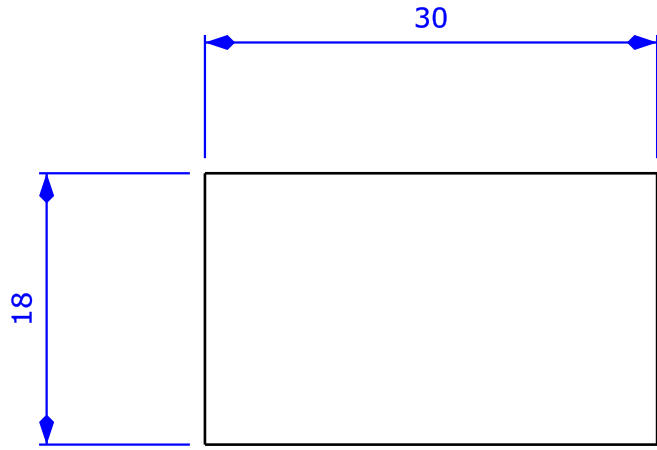
Created by: <b>Woodshop Junkies</b>	Title: <b>Canter face</b>		
Supplementary information:  © Woodshop Junkies 2019	Size: <b>A3</b>	Sheet:	Scale:
	Part number:		
	Drawing number: <b>WJ-03-019</b>		
	Date: <b>2019</b>	Revision: <b>REV A</b>	



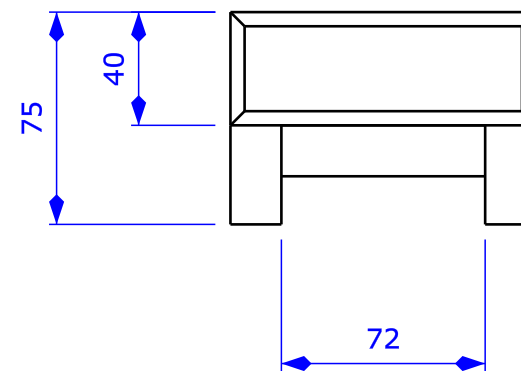
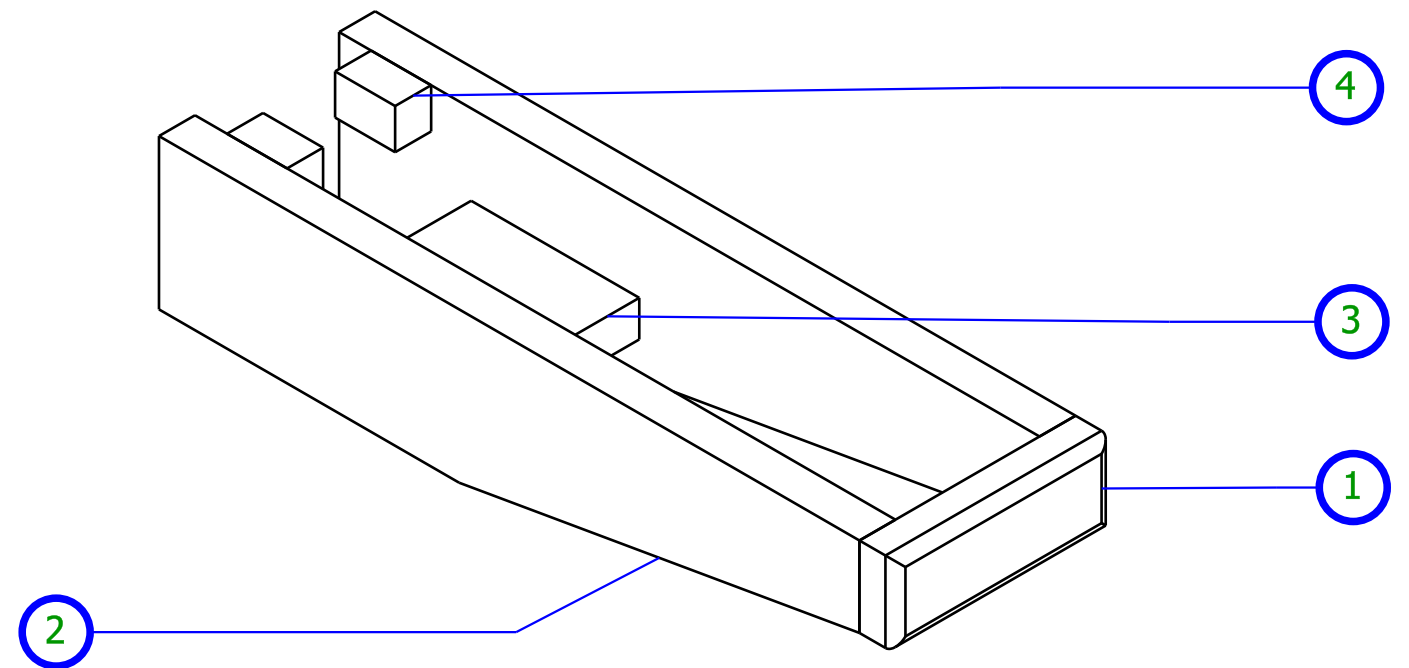
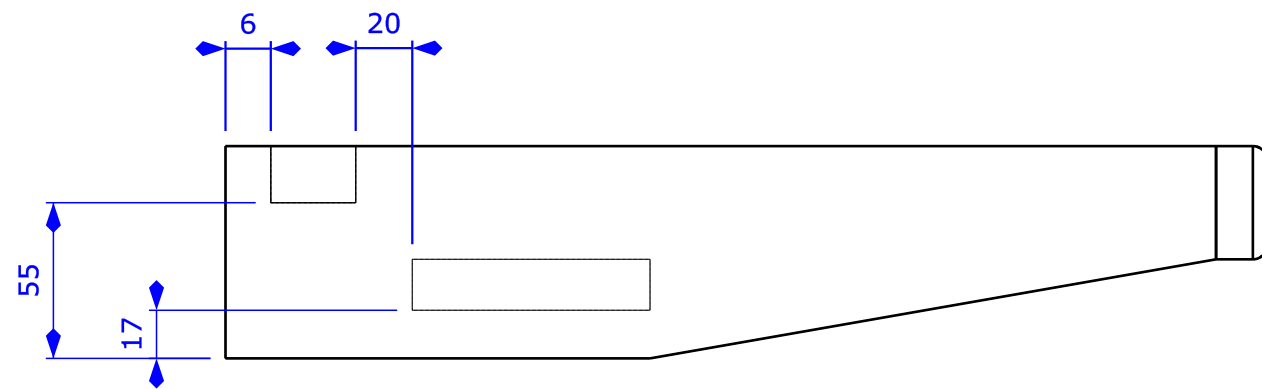
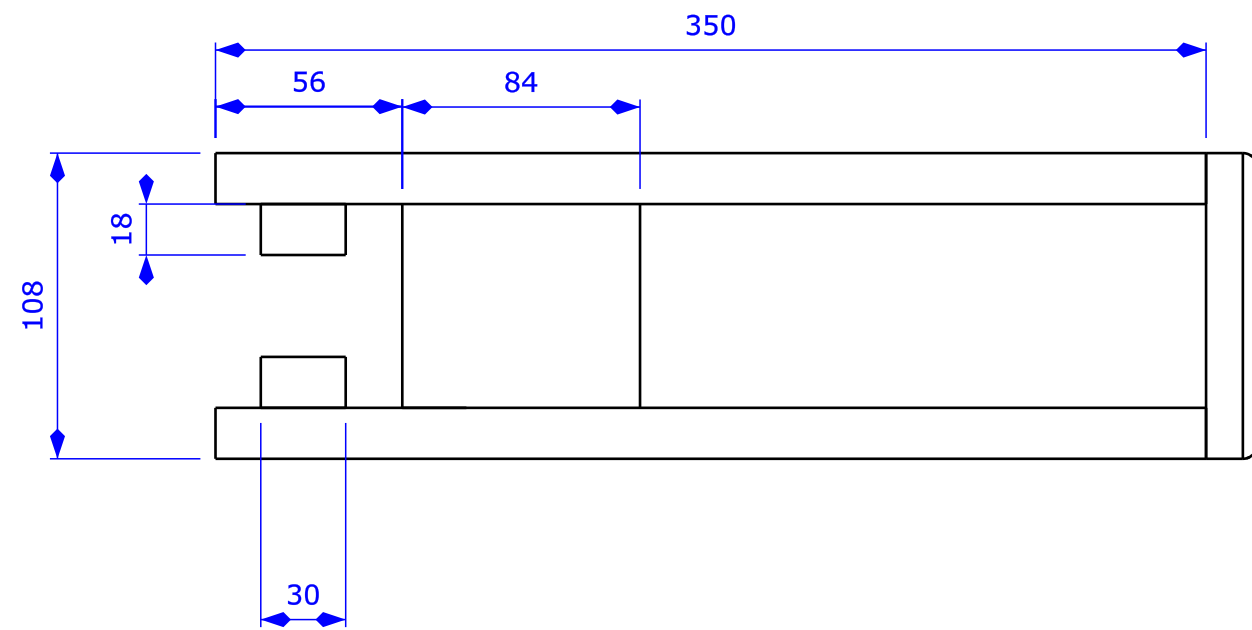
Created by: <b>Woodshop Junkies</b>	Title: <b>Canter</b>		
Supplementary information:  © Woodshop Junkies 2019	Size: <b>A3</b>	Sheet:	Scale:
	Part number:		
	Drawing number: <b>WJ-03-020</b>		
Date: <b>2019</b>	Revision: <b>REV A</b>		



Created by: <b>Woodshop Junkies</b>	Title: <b>Canter brace</b>	Size: <b>A4</b>	Sheet:	Scale:
Supplementary information:  <b>© Woodshop Junkies 2019</b>		Part number:		
		Drawing no.: <b>WJ-03-021</b>		
		Date: <b>2019</b>	Revision: <b>REV A</b>	

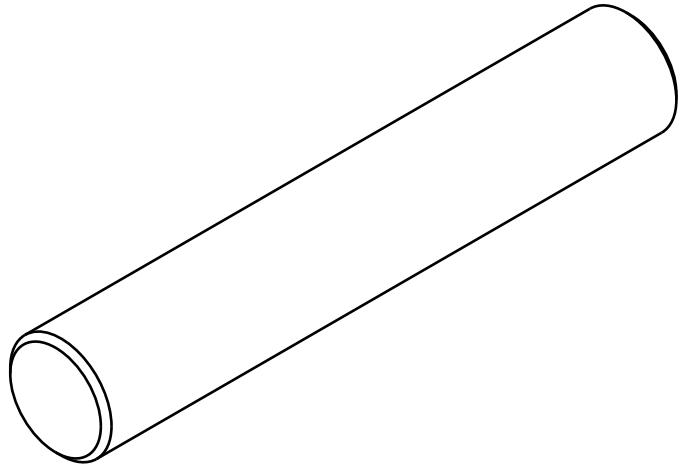


Created by: <b>Woodshop Junkies</b>	Title: <b>Carry block</b>	Size: <b>A4</b>	Sheet:	Scale:
Supplementary information:  <b>© Woodshop Junkies 2019</b>		Part number:		
		Drawing no.: <b>WJ-03-022</b>		
		Date: <b>2019</b>	Revision: <b>REV A</b>	

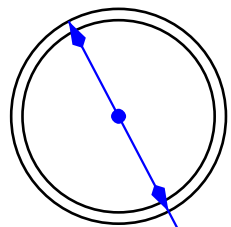
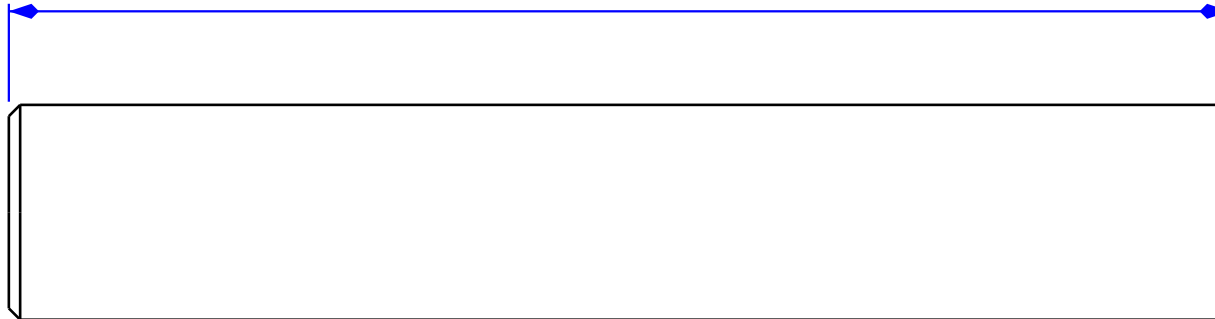


1	WJ-03-019	10	18 x 40 x 108
2	WJ-03-020	20	18 x 75 x 350
3	WJ-03-021	10	18 x 72 x 84
4	WJ-03-022	20	18 x 20 x 30

Created by: <b>Woodshop Junkies</b>	Title: <b>Cantilever</b>		
Supplementary information:  © Woodshop Junkies 2019	Size: <b>A3</b>	Sheet:	Scale:
	Part number:		
	Drawing number: <b>WJ-03-023</b>		
	Date: <b>2019</b>	Revision: <b>REV A</b>	



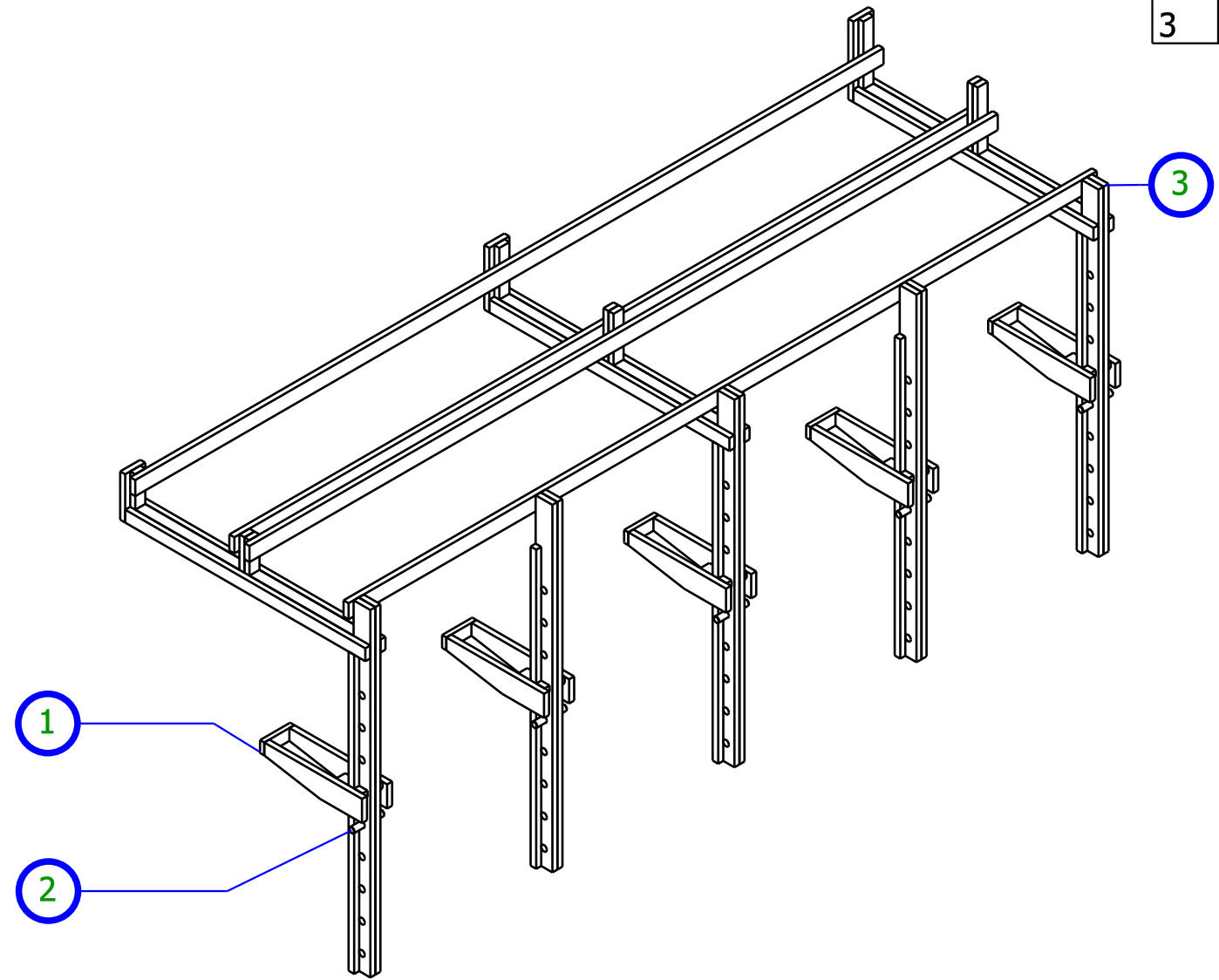
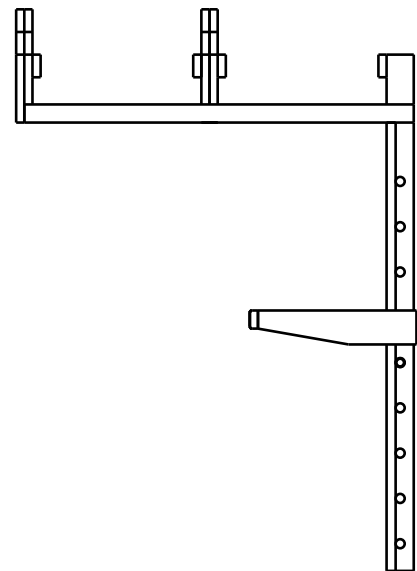
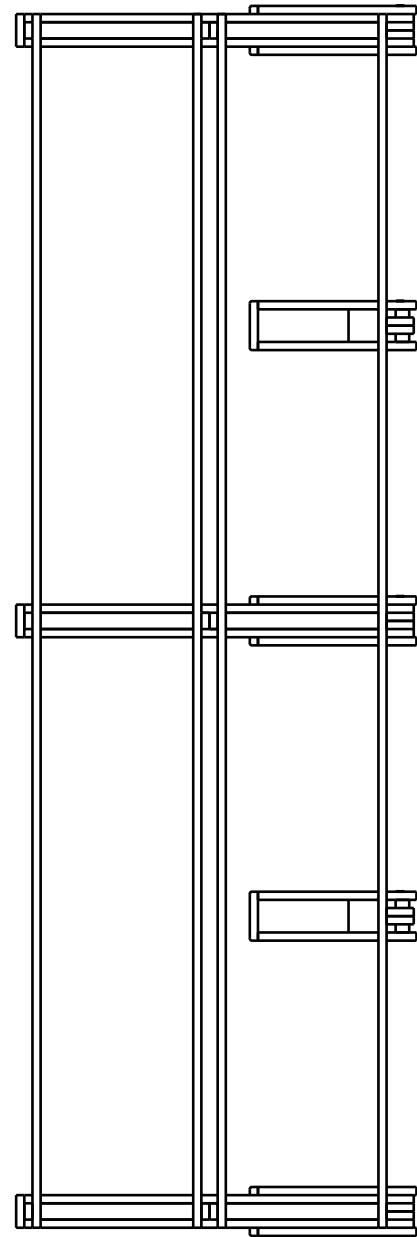
108



Ø19



Created by: <b>Woodshop Junkies</b>	Title: <b>Wooden pin</b>	Size: <b>A4</b>	Sheet:	Scale:
Supplementary information:  <b>© Woodshop Junkies 2019</b>		Part number:		
		Drawing no.: <b>WJ-03-024</b>		
		Date: <b>2019</b>	Revision: <b>REV A</b>	



1	WJ-03-023	10	
2	WJ-03-024	10	Diam. 19 x 72
3	WJ-02-018		



Created by: <b>Woodshop Junkies</b>	Title: <b>Stage 3</b>		
Supplementary information:  © Woodshop Junkies 2019	Size: <b>A3</b>	Sheet:	Scale:
	Part number:		
	Drawing number: <b>WJ-03-025</b>		
Date: <b>2019</b>	Revision: <b>REV A</b>		